

# RINCON HZ RMT SERIES

NEMA 4X WET IP66 COLD HAZARDOUS



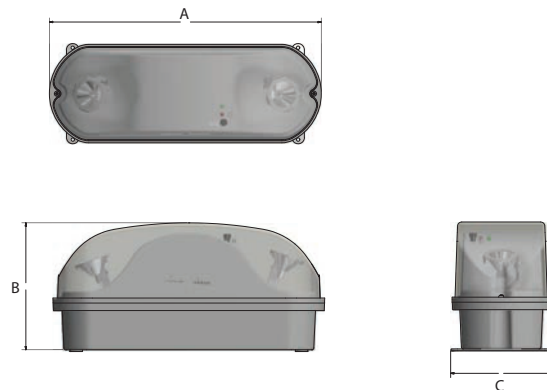
Project: \_\_\_\_\_  
Type: \_\_\_\_\_  
Catalog#: \_\_\_\_\_



## ■ specifications: overview

The RINCON HZ RMT is vandal resistant, durable and can be depended on in the event of an emergency. The gasketed die-cast aluminum housing and clear polycarbonate lens is suitable for areas that are wet, cold or that generate dust. Tamper resistant screws are standard and ensure the integrity of the remote. Performance optics allows up to 70 foot spacing on center. The Bravado series is approved for use in Class I Division 2, Groups A-D, Class II Divisions 1& 2, Groups E-VG: T coded T4A, T3B, T3A, T2D, T2A, or T1. The operating temperature is from -22°F up to 104°F (-30°C to 40°C).

## ■ dimensions (in, mm.)



| Series   | A       | B      | C     |
|----------|---------|--------|-------|
| RIN-HZ-R | 16 1/4" | 7 1/2" | 6"    |
|          | 413mm   | 191mm  | 152mm |

## ■ specifications: mechanical

The RINCON HZ RMT is constructed from a durable, fully gasketed NEMA 4X and IP66 rated die-cast aluminum housing. Stainless steel mounting straps are supplied for surface mounting. The RINCON HZ RMT is supplied standard in a durable gray powder coat, baked finish. Other colors are available, including color matching, please specify. CSA 22.2 No. 141 Performance Certified.

## ■ ordering logic

| Series   | Operation | Lamps                           | Options                          |
|----------|-----------|---------------------------------|----------------------------------|
| RIN-HZ-R | 6 VDC     | See lamp selection on next page | CC (custom color mounting plate) |
|          | 12 VDC    |                                 | WG (wireguard)                   |
|          | 24 VDC    |                                 |                                  |

EXAMPLE RIN-HZ-R-24-MR1612W  
DESCRIPTION: Remote, 24V, 12W MR16 lamps

# RINCON HZ RMT SERIES

NEMA 4X WET IP66 COLD HAZARDOUS

## ■ sanitation listing:

The RINCON HZ RMT is sanitation listing approved. The Intertek verified splash zone listing is equivalent to the NSF standard 2, meeting the rigorous sanitation, electrical safety and performance standards of food service environments.

## ■ tamper resistant design:

The RINCON HZ RMT series of vandal resistant emergency lighting units are designed to stand up to abuse in applications such as schools, public areas, institutions and apartment complexes where vandalism may potentially occur. The heavy die-cast aluminum body and polycarbonate lens offer extreme protection and superior performance. Tamper resistant screws are standard and ensure the integrity of the unit.

## ■ temperature codes:

| Temperature Codes Class I, Div. 2 |                 |                 |                 |                 |                 |                |
|-----------------------------------|-----------------|-----------------|-----------------|-----------------|-----------------|----------------|
| Lamp                              | 10 Watt Halogen | 12 Watt Halogen | 20 Watt Halogen | 35 Watt Halogen | 50 Watt Halogen | 7 watt LED max |
| T Code                            | T3A             | T3B             | T2D             | T2A             | T1              | T4A            |

| Temperature Codes Class 2, Div. 1 & 2 |                 |                 |                 |                 |                 |                |
|---------------------------------------|-----------------|-----------------|-----------------|-----------------|-----------------|----------------|
| Lamp                                  | 10 Watt Halogen | 12 Watt Halogen | 20 Watt Halogen | 35 Watt Halogen | 50 Watt Halogen | 7 watt LED max |
| T Code                                | T4A             | T4A             | T4A             | T4A             | T4A             | T4A            |

## ■ lamp selection:

|          | 6V     | 12V                 | 24V             |
|----------|--------|---------------------|-----------------|
| MR16     | 6, 10W | 10, 12, 20, 35, 50W | 12, 20, 35, 50W |
| MR16 LED | 5, 7W  | 2, 5, 7W            | 5, 7W           |

## ■ warranty:

The BRAVADO HZ RMT comes with a 3-year factory warranty. Deliberate damage, misuse, improper installation effectively cancel the warranty.