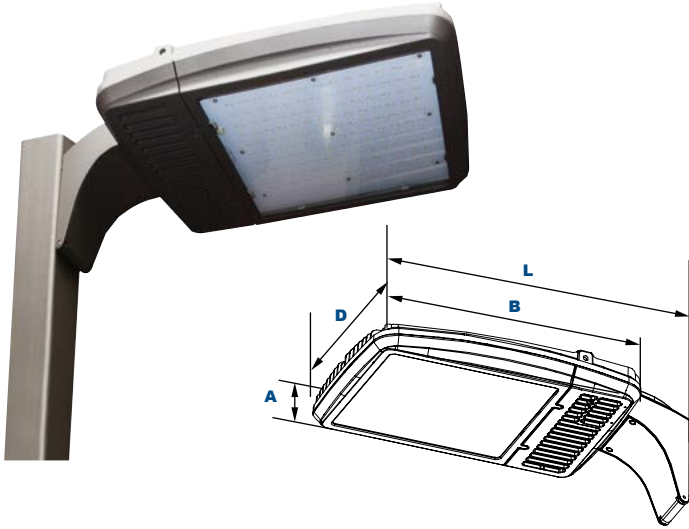


KH45Q

L70
25°C

290,000 Hours

EasyLED Large Bentley Kitty Hawk Area Light



Dimensions

Width (D)	15 1/4" (400mm)	Length with Mount (L)
Length (B)	22" (559mm)	
Height (A)	4" (102mm)	

Kitty Hawk Arm (KA): 27 1/2" (699mm)
Slipfitter (SF): 29 1/4" (743mm)
Mounting Arm Adaptor (MA): 26 1/2" (664mm)
Yoke (Y): 26 1/4" (667mm)
Bracket (BR): 25 3/4" (654mm)

Order Information Example:

KH45QF1X256U5KCZKASP

Model	Optics	Wattage	Driver	CCT	Lens	Color	Mounting	Options
KH45Q Large Bentley Kitty Hawk	A =Type I B =Type II C =Type III D =Type IV F =Type V	1X167 =167w 1X256 =256w	U =120-277V H =347/480V	4K =4000K 5K =5000K	C =Clear Flat Glass Lens P =Clear Flat Prismatic Glass Lens *Use with Type V Optic Only.	Z =Bronze C =Custom (Consult Factory)	KA =Kitty Hawk Arm SF = Slipfitter MA = Mounting Arm Adapter Y =Yoke BR =Two-Piece Swivel Bracket NM =No Mount	SF =Single Fuse DF =Double Fuse SP =Surge Protection M1 =Motion Sensor, IR for mounting heights of 20ft to 35ft M2 =Motion Sensor, IR for mounting heights of 18ft or less R3 =3-Pin Twist Lock Photocell Receptacle R7 =7-Pin ANSI C136.41—2013 Twist Lock Photocell Receptacle with P18132 shorting cap

Project Information:

Project Name: _____ Fixture Type: _____

Complete Catalog #: _____ Date: _____

Comments: _____

Certification & Listings:



DesignLights Consortium™
 Qualified Luminaires:
 KH45QA1X167U5KC***
 KH45QA1X256U5KC***
 KH45QB1X167U5KC***
 KH45QB1X256U5KC***
 KH45QC1X167U5KC***
 KH45QC1X256U5KC***
 KH45QD1X167U5KC***
 KH45QD1X256U5KC***
 KH45QF1X167U5KC***
 KH45QF1X256U5KC***



Specifications subject to change without notice. Rev. 092017

EasyLED Technology

The LEPG KH45Q luminaire is available in two wattages with a wide choice of mounting configurations and optical distributions designed to replace HID lighting systems from 250w to 1000w MH or HPS. Typical area lighting applications include retail centers, industrial parks, schools and universities, public transit and airports, office buildings and medical facilities. Mounting heights of 16 to 35 feet can be used based on light level and uniformity requirements.

Specifications and Features:

Housing:

Die Cast Aluminum Housing and Front Frame, Integral Heat Sinking and Driver Compartment. Photocell Adaptable. Nickel-Plated Stainless Steel Hardware.

Listing & Ratings:

CSA: Listed for Wet Locations, ANSI/UL 1598, 8750
 IP66 Sealed LED Compartment.

Finish:

Textured Architectural Bronze Powdercoat Finish Over a Chromate Conversion Coating. Custom Colors Available Upon Request.

Lens:

Tempered Clear Flat Glass Lens or Tempered Clear Flat Prismatic Glass Lens.

Mounting Options:

Mounts with Kitty Hawk Arm, Adjustable Slipfitter, 2 1/2" Diameter Mounting Arm Adapter, Yoke, or Two-Piece Bracket. (Factory Installed)

EasyLED LED:

Aluminum Boards

Wattage:

167w: Array: 167.3w, System Input: 177w
 (250-400w HID Equivalent)
 256w: Array: 255.7w, System Input: 281w
 (400-1000w HID Equivalent)

Driver:

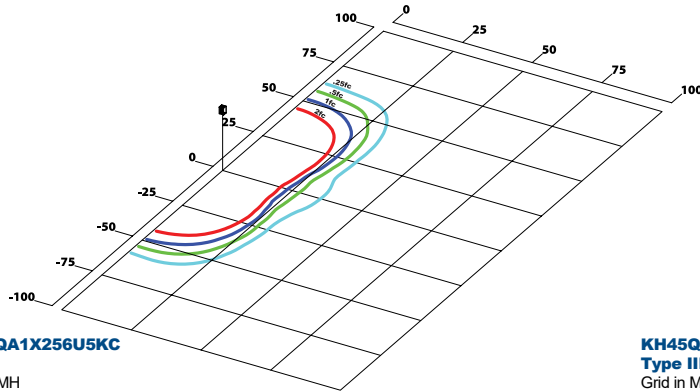
Electronic Driver, 120-277V, 50/60Hz or 347/480V, 50/60Hz; Dimmable Driver

Warranty:

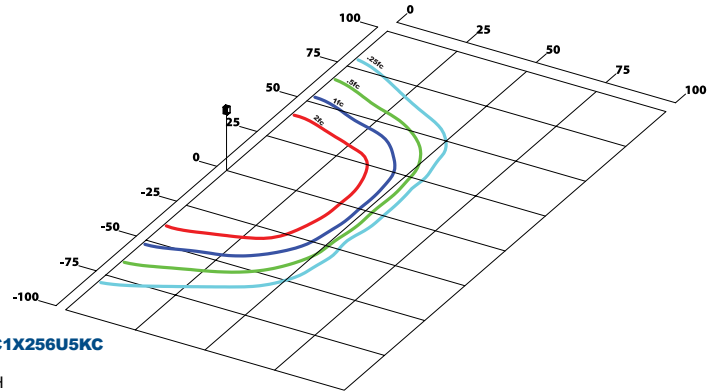
5-Year Warranty for -40°C to +50°C Environment.

LM-79 Report Available on Select Models.

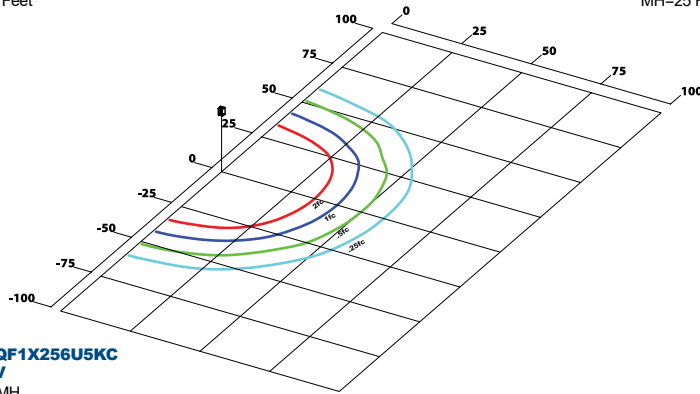
See Page 3 for Projected Lumen Maintenance Table.



KH45QA1X256U5KC
Type I
Grid in MH
MH=25 Feet



KH45QC1X256U5KC
Type III
Grid in MH
MH=25 Feet



KH45QF1X256U5KC
Type V
Grid in MH
MH=25 Feet

Photometric Performance

LED Board Watts	Drive Current (mA)	Input Watts	Optics	5000 CCT 80 CRI					4000 CCT 80 CRI				
				Lumens	LPW	B	U	G	Lumens	LPW	B	U	G
EasyLED 167w	525	177	Type I	19,217	109	4	3	2	17,584	99	4	3	2
			Type III	17,538	99	3	3	3	16,047	91	3	3	3
			Type V	19,916	113	4	3	3	18,223	103	4	3	3
EasyLED 256w	525	281	Type I	28,826	103	4	3	3	26,376	89	4	3	3
			Type III	27,357	97	3	3	3	25,032	100	3	3	3
			Type V	30,745	109	5	3	2	28,132	82	5	3	2

Projected Lumen Maintenance

Data shown for 5000 CCT			Compare to MH				
TM-21-11	Input Watts	Initial	25,000 Hrs	50,000 Hrs	100,000 Hrs	Calculated L70@ 25°C	
L70 Lumen Maintenance @ 25°C / 77°F	177	1.00	0.98	0.96	0.92	393,000	
L70 Lumen Maintenance @ 25°C / 77°F	281	1.00	0.97	0.95	0.90	290,000	
TM-21-11	Input Watts	Initial	25,000 Hrs	50,000 Hrs	100,000 Hrs	Calculated L70@ 50°C	
L70 Lumen Maintenance @ 50°C / 122°F	177	1.00	0.96	0.91	0.82	114,000	
L70 Lumen Maintenance @ 50°C / 122°F	281	1.00	0.94	0.88	0.76	84,000	
TM-21-11	Input Watts	Initial	25,000 Hrs	50,000 Hrs	100,000 Hrs	Calculated L80@ 40°C	
L80 Lumen Maintenance @ 40°C / 104°F	177	1.00	0.97	0.94	0.89	180,000	
L80 Lumen Maintenance @ 40°C / 104°F	281	1.00	0.95	0.91	0.81	108,000	

NOTES:

1. Projected per IESNA TM-21-11. Data references the extrapolated performance projections for the 525mA base model in a 25°C ambient, based on 10,000 hours of LED testing per IESNA LM-80-08.
2. Compare to MH box indicates suggested Light Loss Factor (LLF) to be used when comparing to Metal Halide (MH) systems.

Specifications subject to change without notice. Rev. 122016