

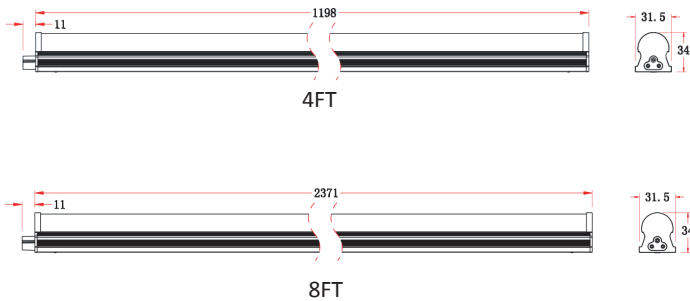
Project:	
Type:	
Catalog #:	



The LED Integrated fixture with internal driver is used for general illumination for homes, offices, restaurants, hotels, malls, buses, trains, warehouses, parking lots, or wherever accent lighting is required.

DIMENSIONS

CERTIFICATIONS



FEATURES

COMMON TECHNICAL DATA

- Energy savings up to 70%
- No infrared rays, no ultraviolet radiation. and no thermal effect
- Soft and wide light emitting
- Minimize labor and recycling costs
- Special circuit design, avoiding the single broken LED influence problem
- UL Type B (luminaire ambient fixture)
- Instant start without flickering, humming, or RF interference
- High efficiency constant current drive system
- Heat protection system allows performance under unstable voltage
- 5 Year Manufacturer's Warranty

Color Temperature	3000K to 5000K
Beam Angle	120°
CRI	>80
Operation Temperature	-10°C to 40°C
Lumen efficiency	140 LPW
Input Voltage	AC100-277V
Frequency	50/60Hz
Power Supply Efficiency	90%
Rated Life	50,000 hrs.
Power Factor	More than 0.99
LED Type	SMD 2835
Housing	Aluminum+PC

WARRANTY

- Only offer 3 year's or 5 year's warranty or any other warranty period specified in the contract for the product from the date of purchase
- Invoice or shipment bill is required to claim the warranty
- The warranty policy only requires manufacturer to repair the defective product or send substitute for replacement
- Installation labor, electricity cost and other related cost will not be covered by the manufacturer warranty policy
- Warranty doesn't cover the defect caused by inappropriate use, especially if directions of the instructions for use are not observed, normal abrasion as well as failures

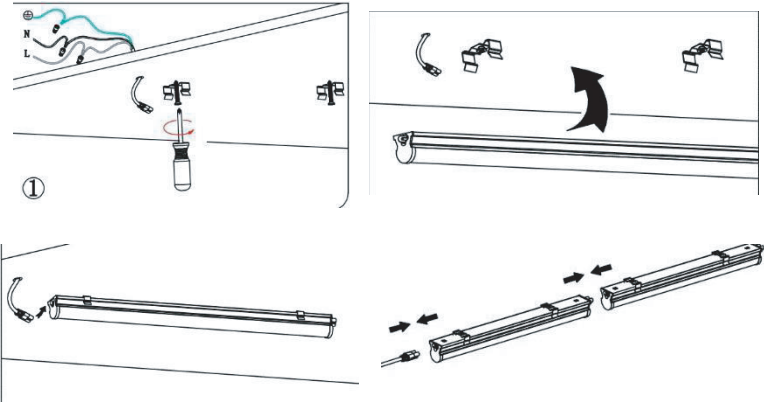
PRODUCT SPECIFICATION

Model Number	Housing	Length	Wattage	Color	Lumens	Input Voltage
DEW-10W600	Aluminum & Plastic	24"	10W	3000K-5000K	1250	AC100-277V/100-347V
DEW-10W900	Aluminum & Plastic	36"	10W	3000K-5000K	1250	AC100-277V/100-347V
DEW-12W1200	Aluminum & Plastic	48"	12W	3000K-5000K	1500	AC100-277V/100-347V
DEW-15W1200	Aluminum & Plastic	48"	15W	3000K-5000K	1875	AC100-277V/100-347V
DEW-18W1200	Aluminum & Plastic	48"	18W	3000K-5000K	2250	AC100-277V/100-347V
DEW-22W1200	Aluminum & Plastic	48"	22W	3000K-5000K	2750	AC100-277V/100-347V
DEW-22W1500	Aluminum & Plastic	60"	22W	3000K-5000K	2750	AC100-277V/100-347V
DEW-31W1800	Aluminum & Plastic	72"	31W	3000K-5000K	3875	AC100-277V/100-347V
DEW-31W2400	Aluminum & Plastic	96"	31W	3000K-5000K	3875	AC100-277V/100-347V
DEW-40W2400	Aluminum & Plastic	96"	40W	3000K-5000K	5000	AC100-277V/100-347V

INSTALLATION INSTRUCTIONS

Retrofit Procedure:

1. Turn OFF power to the fixture at the breaker panel before installation.
2. Fix power wire and clips to the ceiling or wall
3. Snap fixture into clips. Ensure they are secured in place.
4. Connect tubes male end into female end
5. One power connector can connect 20pcs or less for 22W and wattages under
6. One power connector can connect 10pcs or less for 22W + and wattages over
7. Once all fixtures are connected, connect power cord to single fixture



CAUTION

- Risk of fire- do not install this lamp in a pre-heated luminaire.
- Loose or damaged end caps and/or lamp holders need to be replaced before installation.
- Risk of electric shock- make installation with gloves.
- Use only in place of fluorescent lamps specified on label.
- These lamps are not intended for use with emergency exist fixtures, emergency exit lights or battery backup devices.
- LED tube is powered from one end (Single-ended power); the other end is NOT live and only serves to secure and mount LED tube in the sockets.
- These lamps are not to be used with a light dimmer.
- If the lamp or luminaire exhibits undesirable operation (i.e. buzzing, flickering, etc.), immediately turn off power and remove the lamp from luminaire and contact manufacturer.
- Do not install an LED tube into luminaire containing a ballast and/or starter- they must be removed prior to installation.
- Do not make mass installation before sample testing.