

# ADMPNL SERIES Premium Performance Ultra - Thin Edge - Lit LED Panel



Project:	
Type:	
Catalog #:	



## STANDARD



The premium-performance, ultra-thin, edge-lit LED panel (ADMPNL) series offers industry leading lumens per watt (LPW), and is DLC Premiumlisted. The ADMPNL is designed to deliver general ambient lighting in a variety of indoor settings, including schools, offices, hospitals and stores, and is the perfect choice for both new construction and retrofits. This high-efficacy luminaire provides long-life and uniform illumination, as well as standard 0-10 vdc dimming capability.

## FEATURES

- Available in 3000k (warm white), 4000k (neutral white) and 5000k (cool white) color temperatures.\*
- Long-life LEDs provide 81,000 hours of operation with at least 70% of initial lumen output (L<sub>70</sub>).\*\*
- Provides 4,003 luminaire lumens (124 lumens per watt, LPW) at 3000k, 4,081 luminaire lumens (127 LPW) at 4000k, and 4,111 luminaire lumens (129 LPW) at 5000k.\*
- Uniform illumination with no visible LED pixilation.
- Universal 120-277 AC voltage (50-60Hz) is standard.
- 0-10vdc dimming capability is standard.
- Power factor > 0.90.
- Total harmonic distortion < 20%.
- Color rendering index > 80.
- Aluminum housing.
- PMMA (polymethyl methacrylate) acrylic lens with light guide panels for optimal light distribution and efficiency.
- Easy installation in new construction or retrofit.
- Standard earthquake clips provide secure installation in grid ceilings.
- Standard mounting options include recessed mounting in grid ceilings, or suspended mounting using attached hanging brackets. Optional surface mounting requires a surface mounting kit (option SMK).

\* Contact factory for other color temperatures and lumen packages.

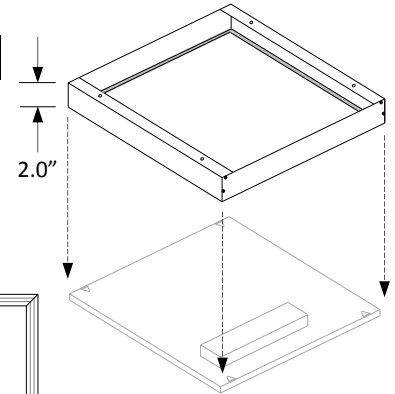
\*\* L<sub>70</sub> hours are IES TM-21-11 calculated hours.

## WARRANTY & LISTINGS

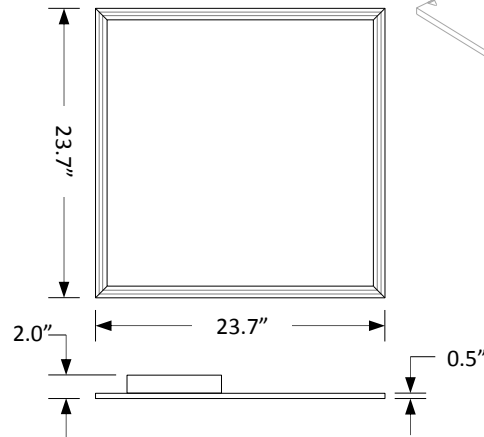
- UL listed for damp locations and insulated ceilings (IC-rated) for use in ambient temperatures from -25° C to 50° C (-13° F to 122° F).
- DLC Premium listed.
- Complies with FCC Part 15, part B.
- 5-year warranty of all electronics and housing.

## SURFACE MOUNTING KIT

- Optional surface mounting kit provides for installation on plaster or other hard ceilings.



## DIMENSIONS



**Weight: 7.6 lbs.**

## ORDERING INFORMATION

Example: ADMPNL22-32W-3KMV-DLCPRM-BES-SMK

Model	Luminaire Watts	Luminaire Lumens	Lumens/Watt	Color Temperature	Input Voltage	DLC Listing	Options
ADMPNL22-32W	32	4,003 4,081 4,111	124 127 129	3K = 3000k 4K = 4000k 5K = 5000k	MV = Multi-volt (120-277V)	DLCPRM-BES = DLC Premium	SMK = Surface Mounting Kit

# ADMPNL SERIES Premium Performance Ultra - Thin Edge - Lit LED Panel



## ELECTRICAL DATA

Model	Color Temp.	CRI <sup>1</sup>	Luminaire Lumens	Luminaire Watts	Lumens Per Watt	Input Voltage	Input Current (A)			Power Factor	THD <sup>2</sup>	L <sub>70</sub> Hours <sup>3</sup>
							120V	240V	277V			
ADMPNL22-32W - 3KMV-DLCPRM-BES	3000k	> 80	4,003	32	124	120-277	0.27	0.13	0.12	> 90%	< 20%	81,000
ADMPNL22-32W - 4KMV-DLCPRM-BES	4000k	> 80	4,081	32	127	120-277	0.27	0.13	0.12	> 90%	< 20%	81,000
ADMPNL22-32W - 5KMV-DLCPRM-BES	5000k	> 80	4,111	32	129	120-277	0.27	0.13	0.12	> 90%	< 20%	81,000

<sup>1</sup> Color rendering index.

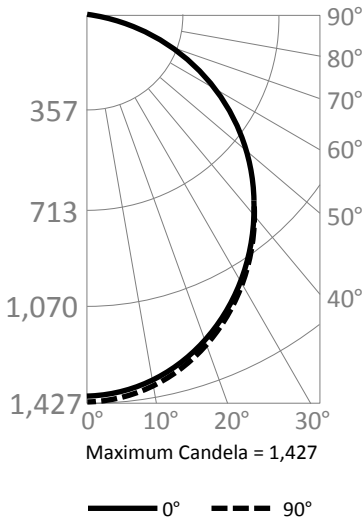
<sup>2</sup> All 50-60Hz.

<sup>3</sup> Total harmonic distortion.

<sup>4</sup> L<sub>70</sub> refers to the number of hours at which lumen output declines to 70% of the initial level. L<sub>70</sub> hours are IES TM-21-11 calculated hours.

## PHOTOMETRIC DATA

ADMPNL22-32W-5KMV-DLCPRM-BES (4,111 Lumens)



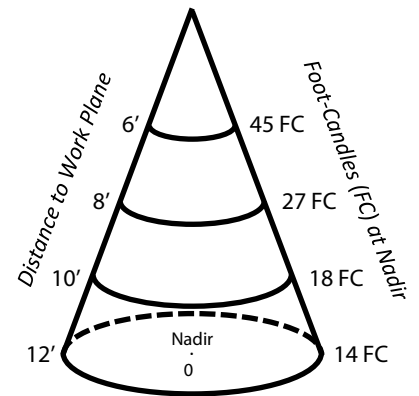
### Candlepower Summary

	0°	90°
0°	1,427	1,427
10°	1,385	1,431
20°	1,296	1,363
30°	1,164	1,240
40°	990	1,076
50°	777	880
60°	540	660
70°	292	427
80°	77	189
90°	0	15

### Zonal Lumen Summary

Zone	Lumens	% Fixture
0° - 10°	139	3.4%
0° - 20°	536	13.0%
0° - 30°	1,136	27.6%
0° - 40°	1,858	45.2%
0° - 50°	2,601	63.3%
0° - 60°	3,267	79.5%
0° - 70°	3,764	81.6%
0° - 80°	4,038	98.2%
0° - 90°	4,111	100.0%
90° - 180°	0	0.0%
0° - 180°	4,111	100.0%

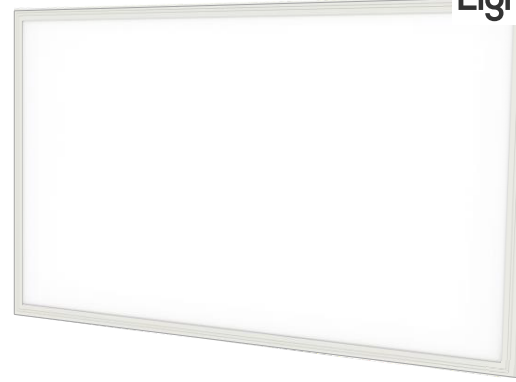
### Cone of Light



# ADMPNL SERIES Premium Performance Ultra - Thin Edge - Lit LED Panel



Project:	
Type:	
Catalog #:	



## STANDARD



The premium-performance, ultra-thin, edge-lit LED panel (ADMPNL) series offers industry-leading lumens per watt (LPW), and is DLC Premium listed. The ADMPNL is designed to deliver general ambient lighting in a variety of indoor settings, including schools, offices, hospitals and stores, and is the perfect choice for both new construction and retrofits. This high-efficacy luminaire provides long-life and uniform illumination, as well as standard 0-10 vdc dimming capability.

## FEATURES

- Available in 3000k (warm white), 4000k (neutral white) and 5000k (cool white) color temperatures.\*
- Long-life LEDs provide 81,000 hours of operation with at least 70% of initial lumen output (L<sub>70</sub>).\*\*
- Provides 4,516 luminaire lumens (124 lumens per watt, LPW) at 3000k, 4,589 luminaire lumens (126 LPW) at 4000k, and 4,637 luminaire lumens (128 LPW) at 5000k.\*
- Uniform illumination with no visible LED pixilation.
- Universal 120-277 AC voltage (50-60Hz) is standard.
- 0-10vdc dimming capability is standard.
- Power factor > 0.90.
- Total harmonic distortion < 20%.
- Color rendering index > 80.
- Aluminum housing.
- PMMA (polymethyl methacrylate) acrylic lens with light guide panels for optimal light distribution and efficiency.
- Easy installation in new construction or retrofit.
- Standard earthquake clips provide secure installation in grid ceilings.
- Standard mounting options include recessed mounting in grid ceilings, or suspended mounting using attached hanging brackets. Optional surface mounting requires a surface mounting kit (option SMK).

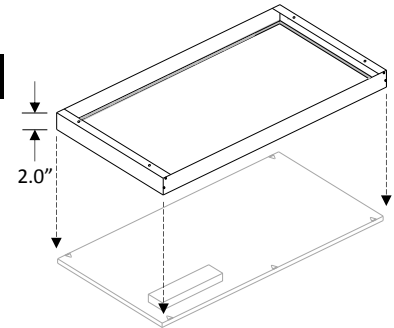
\* Contact factory for other color temperatures and lumen packages.  
 \*\* L<sub>70</sub> hours are IES TM-21-11 calculated hours.

## WARRANTY & LISTINGS

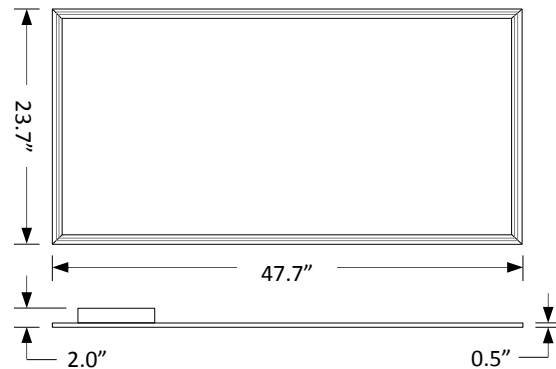
- UL listed for damp locations and insulated ceilings (IC-rated) for use in ambient temperatures from -25° C to 50° C (-13° F to 122° F).
- DLC Premium listed.
- Complies with FCC Part 15, part B.
- 5-year warranty of all electronics and housing.

## SURFACE MOUNTING KIT

- Optional surface mounting kit provides for installation on plaster or other hard ceilings.



## DIMENSIONS



**Weight: 13.6 lbs.**

## ORDERING INFORMATION

Example: ADMPNL24-35W-3KMV-DLCPRM-BES-SMK

Model	Luminaire Watts	Luminaire Lumens	Lumens/Watt	Color Temperature	Input Voltage	DLC Listing	Options
ADMPNL24-35W	36	4,516 4,589 4,637	124 126 128	3K = 3000k 4K = 4000k 5K = 5000k	MV = Multi-volt (120-277V)	DLCPRM-BES = DLC Premium	SMK = Surface Mounting Kit

# ADMPNL SERIES Premium Performance Ultra - Thin Edge - Lit LED Panel



## ELECTRICAL DATA

Model	Color Temp.	CRI <sup>1</sup>	Luminaire Lumens	Luminaire Watts	Lumens Per Watt	Input Voltage	Input Current (A)			Power Factor	THD <sup>2</sup>	L <sub>70</sub> Hours <sup>3</sup>
							120V	240V	277V			
ADMPNL24-35W-3KMW-DLCPRM-BES	3000k	> 80	4,516	36	124	120-277	0.30	0.15	0.13	> 90%	< 20%	81,000
ADMPNL24-35W-4KMW-DLCPRM-BES	4000k	> 80	4,589	36	126	120-277	0.30	0.15	0.13	> 90%	< 20%	81,000
ADMPNL24-35W-5KMW-DLCPRM-BES	5000k	> 80	4,637	36	128	120-277	0.30	0.15	0.13	> 90%	< 20%	81,000

<sup>1</sup> Color rendering index.

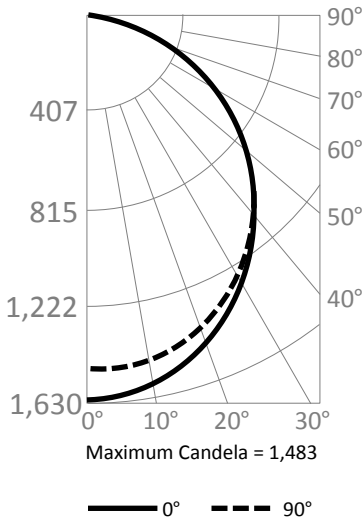
<sup>2</sup> All 50-60Hz.

<sup>3</sup> Total harmonic distortion.

<sup>4</sup> L<sub>70</sub> refers to the number of hours at which lumen output declines to 70% of the initial level. L<sub>70</sub> hours are IES TM-21-11 calculated hours.

## PHOTOMETRIC DATA

ADMPNL24-35W-5KMW-DLCPRM-BES (4,637 Lumens)



### Candlepower Summary

	0	90
0°	1,569	1,569
10°	1,472	1,620
20°	1,400	1,551
30°	1,270	1,423
40°	1,099	1,252
50°	879	1,035
60°	637	795
70°	361	522
80°	116	251
90°	0	34

### Zonal Lumen Summary

Zone	Lumens	% Fixture
0° - 10°	149	3.2%
0° - 20°	578	12.5%
0° - 30°	1,229	26.5%
0° - 40°	2,015	43.5%
0° - 50°	2,831	61.1%
0° - 60°	3,566	76.9%
0° - 70°	4,121	88.9%
0° - 80°	4,430	95.5%
0° - 90°	4,513	97.3%
90° - 180°	124	2.7%
0° - 180°	4,637	100.0%

### Cone of Light

