

Project:	
Type:	
Catalog # :	

FME Lighting | 877 - 234 - 8460 | info@fmelighting.com



SPECIFICATIONS

Structural Base

A356 alloy sand cast aluminum, four bolt base. Bolt covers are provided.

Handholes

All square standards include a peripherally reinforced surface-mounted covered handhole centered 18" above the bottom of the standard. The opening is rectangular in shape with the major dimensions along the vertical axis. The opening in the 4" square standards is 2" x 4" and the 6" square standards is 2½" x 4". A grounding lug is also provided.

Tenons

- SPT = Standard for post top (27/8" OD x 3" tall)
- SSC = Standard for shepherd's crook arms (27/8" OD x 5.5" tall)
- CAP = Removable cap, no tenon

Accessories (Factory Installed)

Single (1A) or double (2A) wood grain finish arm assembly, to match pole finish

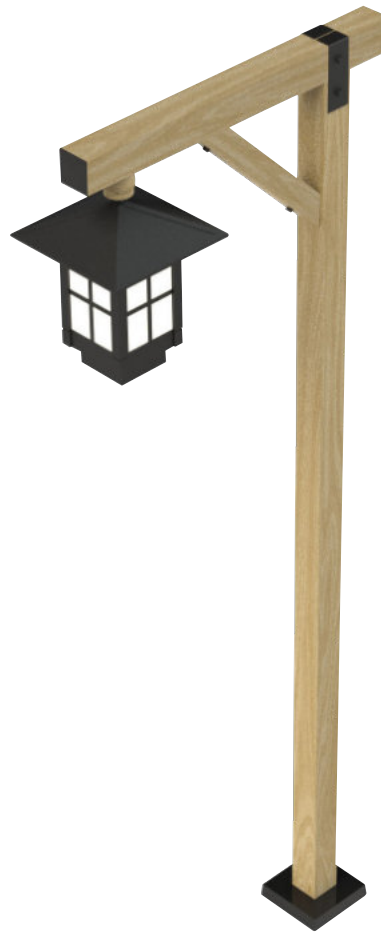
- GFIA = Weatherproof GFI in-use cover, cast aluminum*
- GFIP = Weatherproof GFI in-use cover, plastic*
- USB = Dual USB Port*
- SBC = Split Spun Base Cover

*Must indicate location (See Orientation Guide)

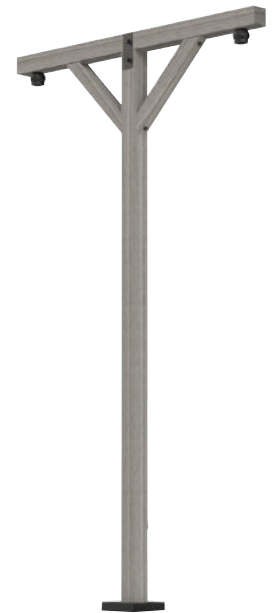
Finish

Super durable polyester TGIC powder coat with wood grain finish. Standard finishes for pole and arm:

- Natural Wood
- Cedar
- Dry Birch



Natural Wood with Single Arm Mount



Dry Birch with Double Arm Mount

KEY FEATURES

- Versatile mounting options suitable for standard heights ranging from 8 to 18 feet, accommodating both single and multiple luminary configurations
- Luminary installation flexibility with options to mount on tenons, pendants, or shafts drilled according to the manufacturer's specifications.
- Enhanced durability with a super durable polyester TGIC powder coat featuring a wood grain finish, combining aesthetic appeal with robust protection against wear and weathering.

ORDERING INFORMATION

ORDERING GUIDE

Series	Pole Size	Height (Feet)	Pole Base & Shaft Type	Wall Thickness	Pole Top / Tenon	Finish	Accent Finish	Accessory
TAP	S4=4" Square Straight S6=6" Square Straight	8=8' 10=10' 12=12' 14=14' 16=16' 18=18* *SPT & SSC Tenon Only	AS = Anchor Base*/ Smooth Shaft *Bolt Hole Covers Included	188 = 0.188	NA = None WF = Wood Finish Arm mount SPT = Standard for post top (27/8" OD x 3" tall) SSC = Standard for shepherd's crook arms (27/8" OD x 5.5" tall) CAP = Removable cap, no tenon* *Specify Drill Pattern For Side Mount	NW=Natural Wood CD=Cedar DB=Dry Birch WN=Walnut	B = Black TB = Textured Black BR = Bronze DBR = Dark Bronze W = White GR = Light Gray SV = Silver Metallic G = Green	2A = Double Arm 1A = Single Arm GFIA = Weatherproof GFI in-use cover, cast aluminum* GFIP = Weatherproof GFI in-use cover, plastic* USB = Dual USB Port* SBC = Split Spun Base Cover *Must indicate location

TAP Series | TA-POLES

8' - 18' Wood Grain Aluminum Pole with Anchor Base



WOOD GRAIN FINISH OPTIONS



ACCENT FINISH OPTIONS



Pole Accent Finish can be selected to match or complement fixtures.

EXAMPLES



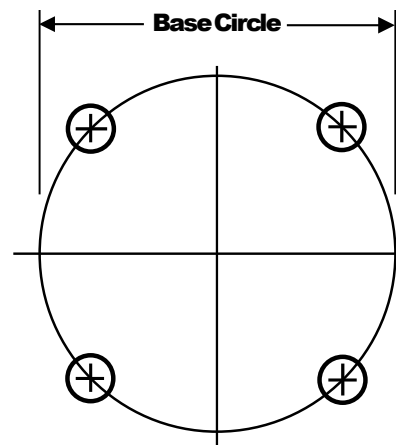
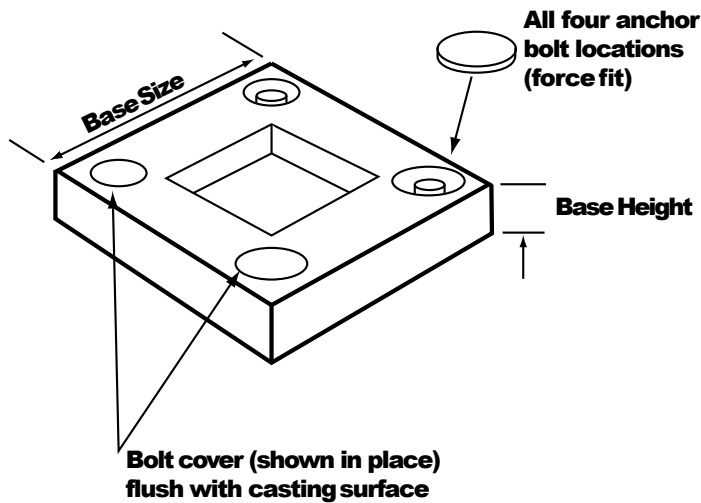
877- 234 - 8460 | info@fmelighting.com

Specifications and dimensions subject to change without notice.

ANCHOR BASE AND BOLT DETAILS

Pole Size	Bolt Circle	Bolt Projection	Bolt Size	Conduit Opening	Base Height	Base Size
4" SQ.	8½" - 9½"	3"	¾" x 25" x 3"	3½"	2"	9⅞" SQ.
6" SQ.	12½"	4"	1" x 36" x 3"	5½"	2¾"	12¾" SQ.

Actual anchor bolt size may differ slightly

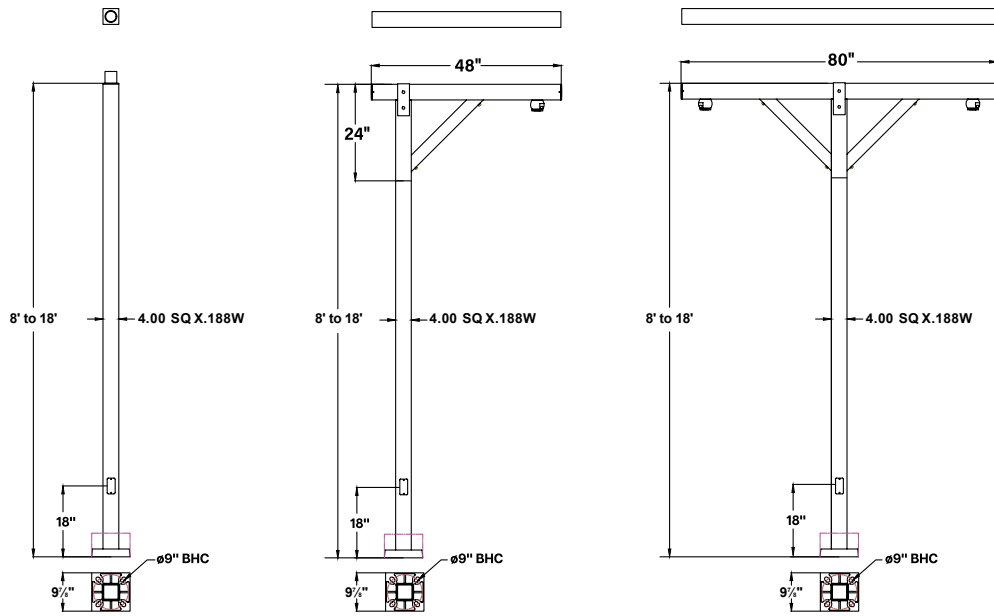


WIND LOADING AND DIMENSIONAL DATA:

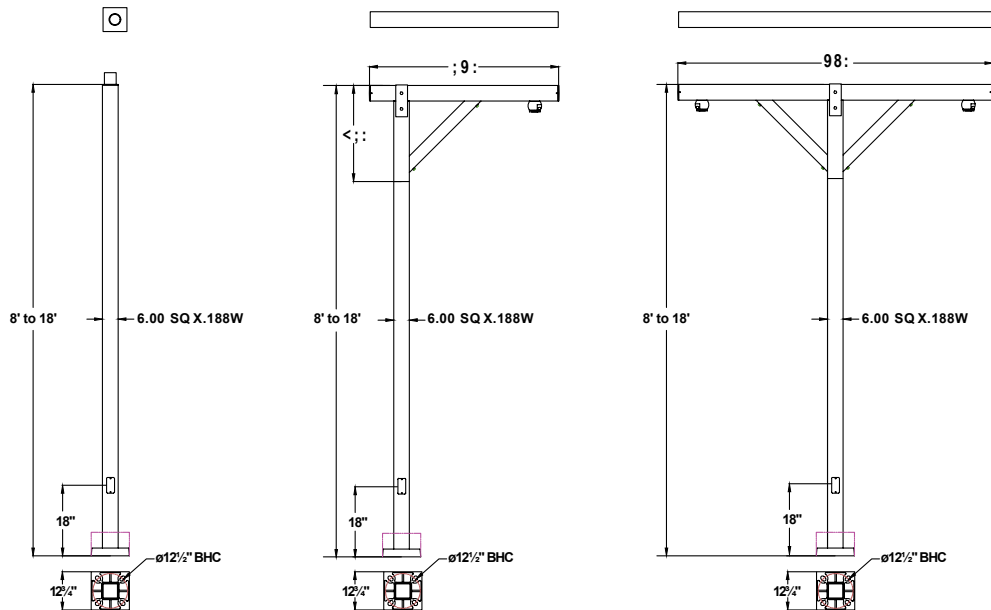
POLES MODEL NUMBER	MOUNT HEIGHT	LUMINAIRES WEIGHT-LBS	TYPICAL WEIGHT AND ALLOWABLE SIZE OF LUMINAIRES EFFECTIVE PROJECTED AREA-SQ FT-AT:					DIMENSIONS OF STANDARDS		
			70 MPH	80 MPH	90 MPH	100 MPH	110 MPH	STANDARD HEIGHT	OUTSIDE DIMENSIONS	WALL
S4-8	8'	150	22.1	16.5	12.6	9.9	7.8	8'	4"	.188
S4-10	10'	150	19.5	14.4	10.9	7.9	6.5	10'	4"	.188
S4-12	12'	150	17.0	12.4	9.2	6.9	5.2	12"	4"	.188
S4-14	14'	150	13.1	9.3	6.7	4.8	3.4	14'	4"	.188
S4-16	16'	150	10.1	6.9	4.7	3.7	1.9	16'	4"	.188
S6-16	16'	150	16.5	11.8	8.5	6.2	4.5	16'	6"	.188
S4-18	18'	150	7.7	4.9	3.0	1.7	0.7	18'	4"	.188
S6-18	18'	150	31.5	22.5	16.4	11.9	8.7	18'	6"	.188

*EPA Notes: Effective Projected Area (EPA) in Square Feet. EPA's Calculated using wind velocity (mph) indicated in accordance with 2009 AASHTO LTS-5

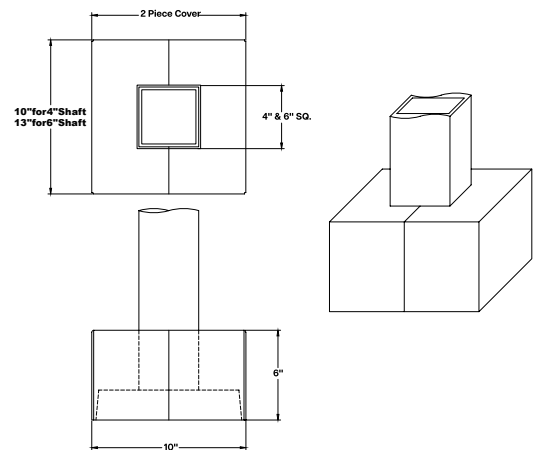
DIMENSIONS



4" Square Straight Pole Dimensions



6" Square Straight Pole Dimensions



Optional 2 Piece Anchor Base Dimensions (Field Installed)