

RSP SERIES

Lumen and Kelvin Field Selectable Canopy



| | |
|-------------|--|
| Project: | |
| Type: | |
| Catalog # : | |

FME Lighting | 877 - 234 - 8460 | info@fmelighting.com



FEATURES

- Field selectable 3000k (warm white), 4000k (neutral white), and 5000k (cool white) color temperatures.*
- Long-life LEDs provide 149,000 hours of operation with at least 70% of initial lumen output (L_{70}), and 44,000 hours with at least 90% of initial lumen output (L_{90}).**
- LED chromaticity based on ≤ 6 -step ANSI quadrangles.
- LED color maintenance ≤ 0.002 chromaticity shift ($\Delta u'v'$) over the initial 6,000 hours of operation.
- CP-10L-LKFS provides a range of 6,800 to 10,500 nominal lumens.*
- Universal 120-277 AC voltage (50-60Hz) is standard.
- 0-10vdc dimming drivers are standard.
- Mounting options include surface-mounting and pendant-mounting using $\frac{3}{4}$ " electrical conduit.
- Optional occupancy/daylight sensor provides both on/off and dimming functions.
- Power factor > 0.90 .
- Total harmonic distortion $< 20\%$.
- Color rendering index > 80 .
- Die cast aluminum housing with dark bronze or white powder coat finish.
- Polycarbonate lens.
- Easy installation in new construction or retrofit.

* Contact factory for other color temperatures and lumen packages.

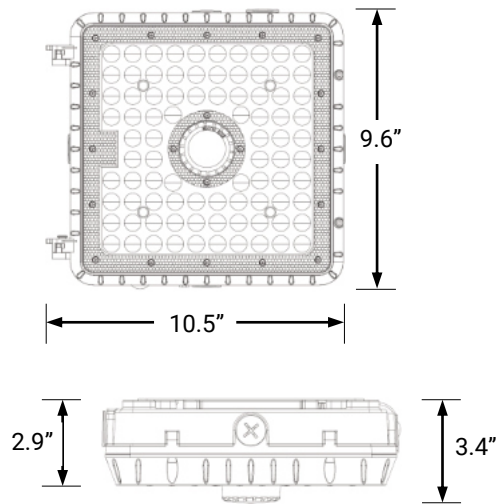
** L_{70} & L_{90} hours are IES TM-21-11 calculated hours.

WARRANTY & LISTINGS

- cULus listed for wet locations in ambient temperatures from -40°C to 40°C (-40°F to 104°F).
- IP65 rated for ingress protection.
- Lens is IK08 rated for impact.
- DLC premium approved for Fuel Pump and Parking Garage categories.
- Complies with FCC Part 15, class B.
- Complies with IEC/EN61000-4-5, input transient surge immunity protection (4kV).
- 5-year warranty on all electronics and housing.

DIMENSIONS

Weight: 5 lbs.



ORDERING INFORMATION

ORDERING GUIDE

| Series | Nominal Lumen Output (Selectable) | | Kelvin Selectable | Occupancy Sensor | | Housing Color | | Accessories (Order Separately) | | |
|--------|-----------------------------------|--------------------|-------------------|------------------|-------------------|----------------------|---|--------------------------------|--------|-----|
| | SEL | 10,000/8,000/7,000 | | V | 3000k/4000k/5000k | ODS ^{1 2 3} | Microwave occupancy, dimming, & daylight sensor (factory installed) | B | Bronze | REM |
| RSP | | | | | Blank | No sensor | W | White | | |

¹ Remote control required for programming (sold separately).

² Default sensor settings: detection area = 100%, hold time = 20 minutes, stand-by period = 0 seconds, stand-by dimming level = 10%, daylight threshold = disabled

³ Maximum mounting height = 49 feet.



877-234-8460 | info@fmelighting.com

Specifications and dimensions subject to change without notice.

ELECTRICAL DATA

| Series | Measurements | Low Lumens | | | Mid Lumens | | | High Lumens | | |
|--------------|-------------------|--------------|--------------|--------------|--------------|--------------|--------------|--------------|--------------|--------------|
| | | 3000K | 4000K | 5000K | 3000K | 4000K | 5000K | 3000K | 4000K | 5000K |
| RSP | Lumens | 6821 | 6962 | 7228 | 7800 | 8248 | 8312 | 9297 | 10,506 | 9967 |
| | Watts | 48 | 43 | 47 | 57 | 51 | 57 | 73 | 69 | 73 |
| | Efficacy | 143 | 163 | 152 | 137 | 161 | 147 | 127 | 152 | 136 |
| | Input Current (A) | 120V = 0.40A | 120V = 0.36A | 120V = 0.39A | 120V = 0.48A | 120V = 0.43A | 120V = 0.48A | 120V = 0.61A | 120V = 0.58A | 120V = 0.61A |
| 240V = 0.20A | | 240V = 0.18A | 240V = 0.20A | 240V = 0.24A | 240V = 0.21A | 240V = 0.24A | 240V = 0.30A | 240V = 0.29A | 240V = 0.30A | |
| 277V = 0.17A | | 277V = 0.16A | 277V = 0.17A | 277V = 0.21A | 277V = 0.18A | 277V = 0.21A | 277V = 0.26A | 277V = 0.25A | 277V = 0.26A | |

PHOTOMETRIC DATA

Luminaire Data

| Description | Canopy SEL 5K |
|-----------------------------|---------------|
| Total Lumens | 9,993 |
| Input Wattage | 73 |
| Efficacy (lm/W) | 137 |
| Spacing Criterion (0-180°) | 1.14 |
| Spacing Criterion (90-270°) | 1.04 |

Zonal Lumen Summary

| Zone | Lumens | %Fixt |
|---------|--------|--------|
| 0-20° | 1,245 | 12.5% |
| 0-30° | 2,530 | 25.3% |
| 0-40° | 3,946 | 39.5% |
| 20-50° | 4,143 | 41.5% |
| 40-70° | 4,839 | 48.4% |
| 0-60° | 6,942 | 69.5% |
| 0-80° | 9,872 | 98.8% |
| 0-90° | 9,993 | 100.0% |
| 90-180° | 0 | 0.0% |
| 0-180° | 9,993 | 100.0% |

