

Project:	
Type:	
Catalog # :	

FME Lighting | 877 - 234 - 8460 | info@fmelighting.com



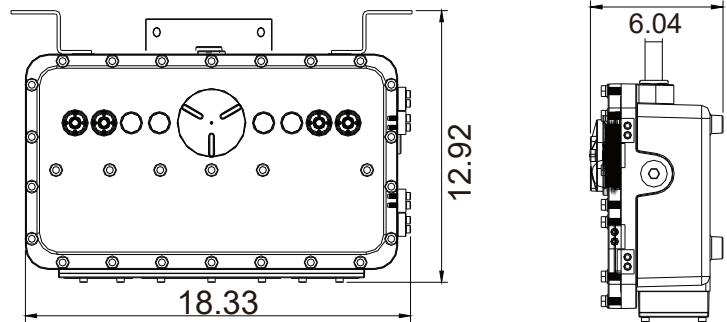
SPECIFICATIONS

OPERATING TEMP	-20°C to 60°C (-4°F to 140°F)
HOUSING	A360 Die-casting Aluminum
HARDWARE / MOUNTING SLING	Stainless Steel
CRI	Ra70/Ra80/Ra90
LED LIFESPAN	Minimum 50,000h
PROTECTION	IP66 & IK10
WARRANTY	5 Year Limited Warranty

CERTIFICATIONS

- Class I, Division 1 Groups C, D
- Class I, Division 2 Groups A, B, C, D
- Class II, Division 2 Groups F, G
- Class III
- UL844 - Hazardous Locations
- UL 924 - Emergency Lighting
- UL 1598 / UL 1598A - Wet Location / Marine Outside Type
- UL8750 - LED Safety
- ETL
- NEMA Type 4X
- IP66 - Wet Locations
- Impact level: IK10 (enclosure)

DIMENSIONS



Quantity	Packing Size	Net Weight	Gross Weight
1 Pc	18.33'x12.92'x6.04' inch	17.64 lbs	20.94 lbs

ACCESSORY



Model: AM
Name: Mounting Arm
Material: Aluminum

ORDERING INFORMATION

ORDERING GUIDE

--	--

Series	Accessories
PON-YJ	BAA = Buy American Act (Contact Factory) AM = Arm Mount