

Retrofit Styles



PNA-Appleton



PNC-Crouse



PNH-Holophane



Diffuser Lens Option



Project:	
Type:	
Catalog #:	

FME Lighting | 877 - 234 - 8460 | info@fmelighting.com

CERTIFICATIONS / RATINGS



CLASS / DIVISION

- Class I, Div 2, Groups A, B, C, D • Class III
- Class II, Div 2, Groups F, G

KEY FEATURES AND BENEFITS

- Applicable to high temperature environment, up to 100°C (212°F)
- RetroFit options saves on installation time when replacing competitors products.
- Marine grade housing / salt water spray resistant
- Comes standard with 304 stainless steel hardware, options for 316 stainless steel upgrades.
- 3/4" NPT pendant hub standard.
- IP67 rating.



SPECIFICATIONS

Voltage	120VAC / 277VAC / 480VAC
Wattage	60w / 80w / 100w
Color Temp	3000 / 5000 Kelvin
Housing	Coated copper free aluminum alloy
Color	Gray
Lens	Tempered glass
Lifetime	60,000 hrs L70
CRI	≥ 80 (3000K) / ≥70 (5000K)
Beam Angles	X-110° / Y-110°
Power Factor	cos ≥ 0.9, cos ≥ 0.87 (480vAC)
Protection	IP67 / NEMA 6
Dimming	None Dimming
Warranty	5 Year Limited Warranty (See high ambient temperature applications for warranty exceptions)

CLASS / DIVISION / TEMPERATURE

Models	Class/ Division	Ambient Temperature	T-Rating	IP Rating
NASA - 3	Class I Division 2 Groups B, C, D	-40°C ~ +40°C (-40°F ~ +104°F)	T5	IP67
	Class II Division 2 Groups E, F, G	+40°C (+104°F)	T5	IP67
	Class III	N/A	N/A	IP67
NASA - 2	Class I Division 2 Groups A, B, C, D	-40°C ~ +40°C (-40°F ~ +104°F)	T4	IP67
	Class II Division 2 Groups F, G	+40°C (+104°F)	T4	IP67

HIGH AMBIENT TEMPERATURE APPLICATIONS

Non-Hazardous Location Applications - Temperature / Warranty Information

Some models of this light are rated for high ambient temperature operation in non-hazardous locations.

In hazardous locations, the lights **MUST** be operated within the UL rated temperature range detailed in the Class/Division/Temperature chart above. Warranty limitations apply to high ambient temp. operation

Models	Max Ambient Temp	Warranty
60w 120/277 VAC	65°C (149°F)	5 Year Limited Warranty
60w All Voltages / 80w 120/277 VAC	85°C (185°F)	2 Year Limited Warranty
All Models	100°C (212°F)	1 Year Limited Warranty

LUMENS

Kelvin	60W	80W	100W
3000K	5,700	7,600	9,000
5000K	6,000	8,000	10,000

MOUNTING OPTIONS

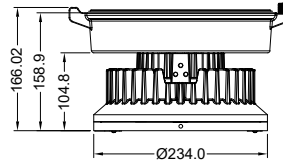
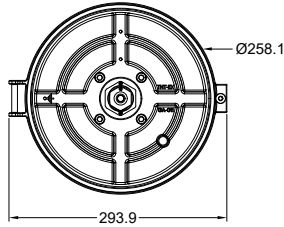
<p>AB - Adjustable Bracket</p> <p>Adjustable bracket may be used for ceiling (25 degree hanging) or wall mounting (90 and 25 degree mounting)</p>	<p>PM - Pendant Mount</p>	<p>2SM - 25° Pole Stanchion</p> <p>NPT 1-1/2" threaded connection</p>	<p>9SM - 90° Pole Stanchion</p> <p>NPT 1-1/2" threaded connection</p>	
<p>CM - Ceiling Mount</p>	<p>WM - Wall Mount</p>		<p>RM - Rotation Triangle Mount</p>	
<p>BM - J-Box Mount</p>				<p>Class I, Division 2 Group A,B,C,D Only</p> <p><i>In this configuration, the following are the only ratings that apply:</i></p> <ul style="list-style-type: none"> • UL 844 • UL 1598 Luminaries • UL 8750 • CSA C22.2 No. 137-18 • CSA C22.2 No. 250.0 • CSA C22.2 No. 250.13

WEIGHTS AND DIMENSIONS

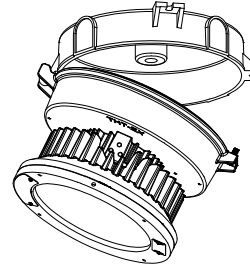
Configuration	lbs
Without Bracket	12.1 lb
With Bracket	16.3 lb

Mounting Box Option & Dimensions (All in mm)

PNC - Retrofit Kit for Crouse



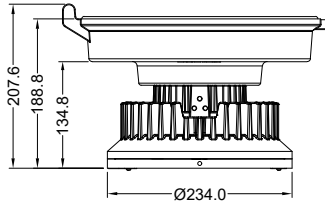
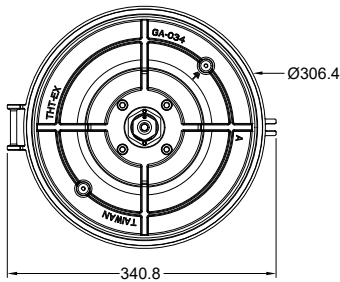
Installation Diagram



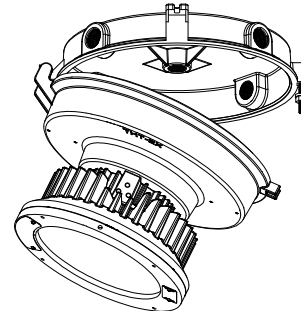
*Top hat is not included when placing order for retrofit pan.

6.5 kg (14.3 lb)

PNA - Retrofit Kit for Appleton



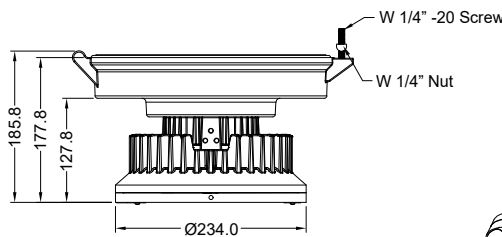
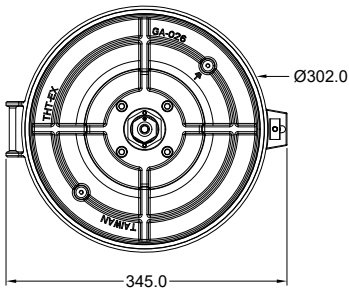
Installation Diagram



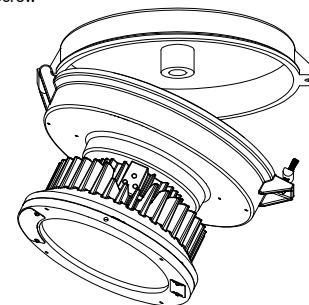
*Top hat is not included when placing order for retrofit pan.

6.8 kg (15.0 lb)

PNK - Retrofit Kit for Killark/Hubbell



Installation Diagram

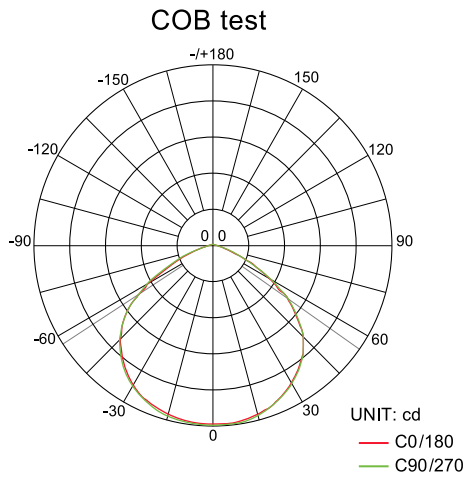


*Top hat is not included when placing order for retrofit pan.

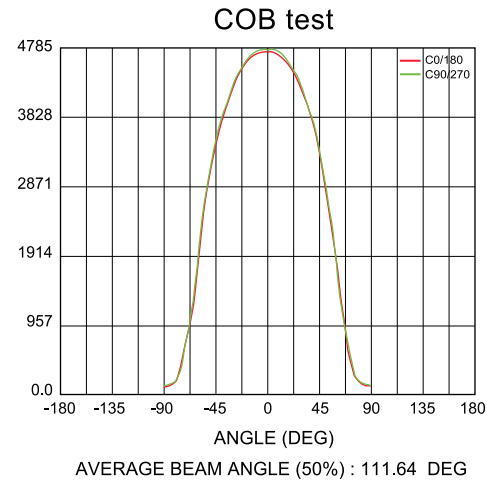
7.0 kg (15.4 lb)

OPTICS REPORT LIGHT DISTRIBUTION

Polar Luminous & Intensity Distribution



Luminous & Intensity Distribution Diagram



LUMENS

Kelvin	60W	80W	100W
3000K	5,700	7,600	9,000
5000K	6,000	8,000	10,000

ORDERING INFORMATION

ORDERING GUIDE

Series	Wattage	Voltage	CCT	Mounting*	Accessory
NA-2	6 = 60W	LV1 = 120 VAC	S = 3000K	2SM** = 25° Stanchion Mount	JB = Junction Box
NA-3	8 = 80W	LV2 = 277 VAC	C = 5000K	9SM** = 90° Stanchion Mount	NPT = 3/4" NPT: Pedant Standard
	10 = 100W	HV = 480 VAC		PM** = Pedant Mount	DF = Len Diffuser
				CM** = Ceiling Mount	1RH** = Reflective Hood
				RM** = Rotation Triangle Mount	SD = 304SS-Stainless Steel Bracket & Hardware
				WM** = Wall Mount	UG = 316SS-316 Stainless Steel
				AB = Adjustable Bracket	FC = Fluorocarbon Coating
				PNC = Mounting Box - Crouse	
				PNA = Mounting Box - Appleton	
				PNK = Mounting Box - Hubbell/Krillark	
				PNH = Mounting Box - Holophane	
				PND = Mounting Box - Dialight	
				MB = J-Box Mount: CID2 G:A,B,C,D Only	

*Prior to ordering, we suggest you try our sample mounting box, to ensure compatibility
 ** Only compatible with NA-2



KEY FEATURES AND BENEFITS

The OPEB series junction box intend to be used or explosive atmospheres. For general wiring in hazardous locations. Copper free aluminum enclosure.

- Ex d type flameproof enclosure.
- Four types of enclosures available.
- The degree of protection is IP66.

SPECIFICATIONS

Model	Terminal Spec
OPEB	2.5mm ² / 24A
	2.5mm ² / 24A
	4mm ² / 27A

Number of Terminal Block	Cable Entry Spec	Cable Entry Amount
Max. 4	¾" NPT / M25x1.5	Max.5

- Certification For OPEB Series Junction Box**
- Class I, Division 1, Groups A, B, C and D
 - Class I, Division 2, Groups A, B, C and D
 - Class II, Division 1, Groups E, F and G
 - Class II, Division 2, Groups F and G
 - Class III

Rated Voltage Max.800VAC
Rated Current 24A, 32A, 41A

- Ambient Temperature**
- Type A, B, C, D, E, F: Threaded joints
 - Type KB1: Flanged and threaded joints

DIMENSIONS

