



Project:	
Type:	
Catalog #:	

FME Lighting | 877 - 234 - 8460 | info@fmelighting.com

### CERTIFICATIONS / RATINGS



### CLASS / DIVISION

- Class 1 , Div 2, Groups A, B, C, D

### KEY FEATURES AND BENEFITS

- UL certified Explosion proof LED Lighting with IP Camera
- The best surveillance product for hazardous and wet locations.
- Applicable areas examples: Oil refinery complex, painting facility and petroleum gas.
- Rated IP67.
- 3/4" NPT pendant standard



### SPECIFICATIONS

<b>Voltage</b>	120V / 277V / 480V VAC
<b>Wattage</b>	46W / 66W (Include Camera 6W)
<b>Color Temp</b>	3000 / 5000 Kelvin
<b>Housing</b>	Aluminum alloy with Stainless Steel screws
<b>Color</b>	Black
<b>Lens</b>	Tempered glass
<b>Lifetime</b>	hrs L70
<b>CRI</b>	≥ 80 (3000K) / ≥70 (5000K)
<b>Beam Angles</b>	X-110° / Y-110°
<b>Power Factor</b>	cos ≥ 0.9, cos ≥ 0.87 (480V)
<b>Protection</b>	IP67 / NEMA 6
<b>Warranty</b>	5 Year Limited Warranty

### CLASS / DIVISION / TEMPERATURE

Models	Class/ Division	Ambient Temperature	T-Rating	IP Rating
NASA - C	Class 1 Division 2 Groups A, B, C, D	-40°C ~ +40°C (-40°F ~ +104°F)	T4	IP67

### LUMENS

Kelvin	40W	60W
3000K	3778	5606
5000K	4181	6173

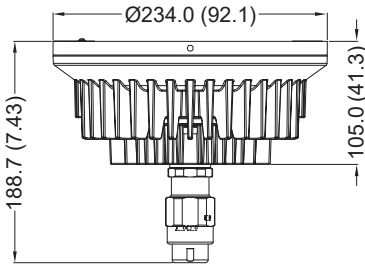
### CAMERA SPECIFICATIONS

<b>Resolution</b>	2 Mega Pixels , Full HD 1080P
<b>1080p HD</b>	1920 × 1080
<b>720p HD</b>	1280 × 720
<b>Video Compression</b>	H.264 High / Main Profile Motion JPG
<b>PoE</b>	IEEE 802.3af
<b>Digital Zoom</b>	Yes
<b>PC Requirement</b>	CPU: Intel i3 or above OS: Windows 7, Windows 8, Windows 10 RAM: 4 GB or above, Dedicated graphics card

### WEIGHTS AND DIMENSIONS

Configuration	lbs
Net Weight	10.1 lb (5.5kg)

Dimension in Millimeters (inches)



### ORDERING INFORMATION

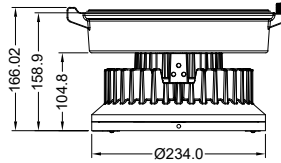
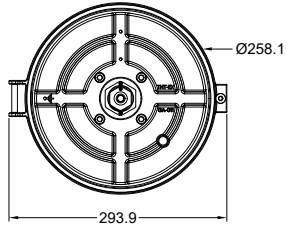
#### ORDERING GUIDE

Series	Wattage	Voltage	CCT	Mounting*	Accessory
NA-C	4 = 46W 6 = 66W	LV1 = 120 VAC LV2 = 277 VAC HV = 480 VAC	S = 3000K C = 5000K	PNC = Mounting Box - Crouse PNA = Mounting Box - Appleton PNK = Mounting Box - Hubbell/Krillark PNH = Mounting Box - Holophane PND = Mounting Box - Dialight	JB = Junction Box NPT = 3/4" NPT: Pedant Standard

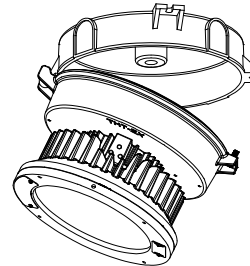
\*Prior to ordering, we suggest you try our sample mounting box, to ensure compatibility

**Mounting Box Option & Dimensions** (All in mm)

**PNC - Retrofit Kit for Crouse**



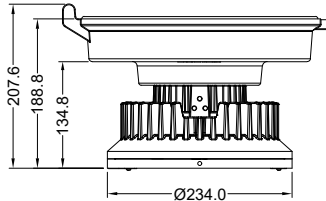
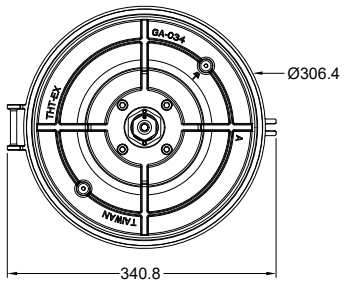
**Installation Diagram**



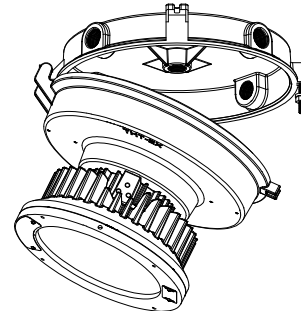
\*Top hat is not included when placing order for retrofit pan.

6.5 kg (14.3 lb)

**PNA - Retrofit Kit for Appleton**



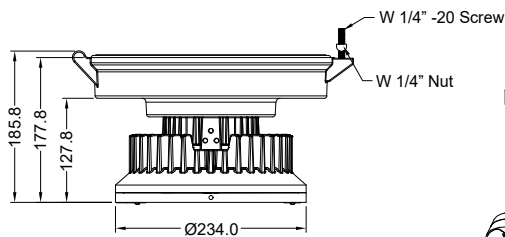
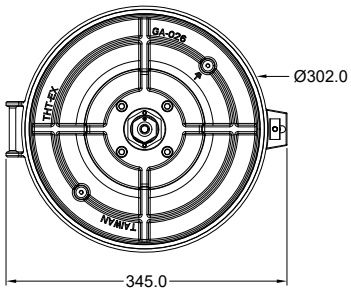
**Installation Diagram**



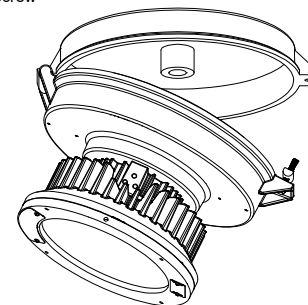
\*Top hat is not included when placing order for retrofit pan.

6.8 kg (15.0 lb)

**PNK - Retrofit Kit for Killark/Hubbell**



**Installation Diagram**



\*Top hat is not included when placing order for retrofit pan.

7.0 kg (15.4 lb)



## KEY FEATURES AND BENEFITS

The OPEB series junction box intend to be used or explosive atmospheres. For general wiring in hazardous locations. Copper free aluminum enclosure.

- Ex d type flameproof enclosure.
- Four types of enclosures available.
- The degree of protection is IP66.

## SPECIFICATIONS

Model	Terminal Spec
OPEB	2.5mm <sup>2</sup> / 24A
	2.5mm <sup>2</sup> / 24A
	4mm <sup>2</sup> / 27A

Number of Terminal Block	Cable Entry Spec	Cable Entry Amount
Max. 4	¾" NPT / M25x1.5	Max.5

- Certification For OPEB Series Junction Box**
- Class I, Division 1, Groups A, B, C and D
  - Class I, Division 2, Groups A, B, C and D
  - Class II, Division 1, Groups E, F and G
  - Class II, Division 2, Groups F and G
  - Class III

**Rated Voltage** Max.800VAC  
**Rated Current** 24A, 32A, 41A

- Ambient Temperature**
- Type A, B, C, D, E, F: Threaded joints
  - Type KB1: Flanged and threaded joints

## DIMENSIONS

