



Project:	
Type:	
Catalog #:	

FME Lighting | 877 - 234 - 8460 | info@fmelighting.com

CERTIFICATIONS / RATINGS



CLASS / DIVISION

- Class 1 , Div 2, Groups A, B, C, D

KEY FEATURES AND BENEFITS

- UL certified Explosion proof LED Lighting with IP Camera
- The best surveillance product for hazardous and wet locations.
- Applicable areas examples: Oil refinery complex, painting facility and petroleum gas.
- Rated IP67.
- 3/4" NPT pendant standard



SPECIFICATIONS

Voltage	120V / 277V / 480V VAC
Wattage	46W / 66W (Include Camera 6W)
Color Temp	3000 / 5000 Kelvin
Housing	Aluminum alloy with Stainless Steel screws
Color	Black
Lens	Tempered glass
Lifetime	hrs L70
CRI	≥ 80 (3000K) / ≥70 (5000K)
Beam Angles	X-110° / Y-110°
Power Factor	cos ≥ 0.9, cos ≥ 0.87 (480V)
Protection	IP67 / NEMA 6
Warranty	5 Year Limited Warranty

CLASS / DIVISION / TEMPERATURE

Models	Class/ Division	Ambient Temperature	T-Rating	IP Rating
NASA - C	Class 1 Division 2 Groups A, B, C, D	-40°C ~ +40°C (-40°F ~ +104°F)	T4	IP67

LUMENS

Kelvin	40W	60W
3000K	3778	5606
5000K	4181	6173

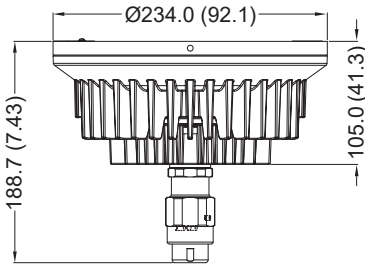
CAMERA SPECIFICATIONS

Resolution	2 Mega Pixels , Full HD 1080P
1080p HD	1920 × 1080
720p HD	1280 × 720
Video Compression	H.264 High / Main Profile Motion JPG
PoE	IEEE 802.3af
Digital Zoom	Yes
PC Requirement	CPU: Intel i3 or above OS: Windows 7, Windows 8, Windows 10 RAM: 4 GB or above, Dedicated graphics card

WEIGHTS AND DIMENSIONS

Configuration	lbs
Net Weight	10.1 lb (5.5kg)

Dimension in Millimeters (inches)



ORDERING INFORMATION

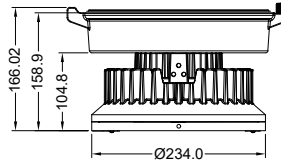
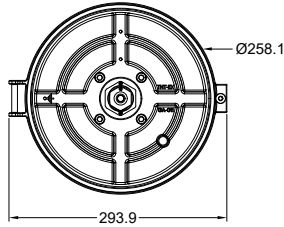
ORDERING GUIDE

Series	Wattage	Voltage	CCT	Mounting*	Accessory
NA-C	4 = 46W 6 = 66W	LV1 = 120 VAC LV2 = 277 VAC HV = 480 VAC	S = 3000K C = 5000K	PNC = Mounting Box - Crouse PNA = Mounting Box - Appleton PNK = Mounting Box - Hubbell/Krillark PNH = Mounting Box - Holophane PND = Mounting Box - Dialight	JB = Junction Box NPT = 3/4" NPT: Pedant Standard

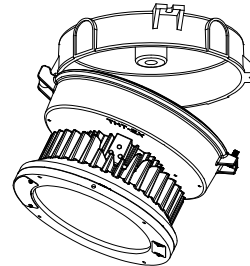
*Prior to ordering, we suggest you try our sample mounting box, to ensure compatibility

Mounting Box Option & Dimensions (All in mm)

PNC - Retrofit Kit for Crouse



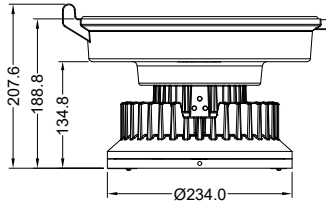
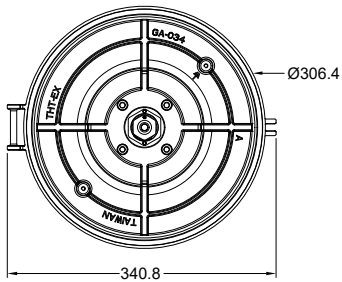
Installation Diagram



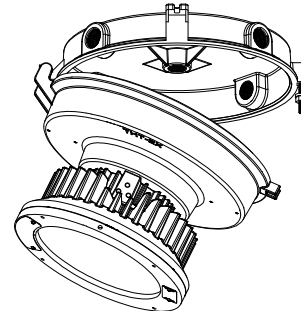
*Top hat is not included when placing order for retrofit pan.

6.5 kg (14.3 lb)

PNA - Retrofit Kit for Appleton



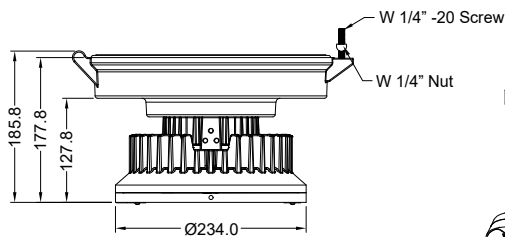
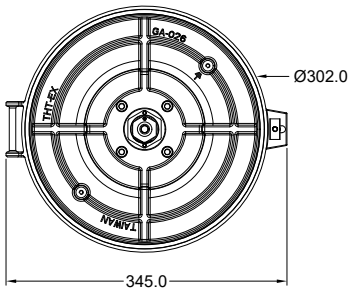
Installation Diagram



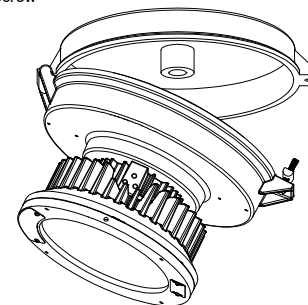
*Top hat is not included when placing order for retrofit pan.

6.8 kg (15.0 lb)

PNK - Retrofit Kit for Killark/Hubbell



Installation Diagram



*Top hat is not included when placing order for retrofit pan.

7.0 kg (15.4 lb)



KEY FEATURES AND BENEFITS

The OPEB series junction box intend to be used or explosive atmospheres. For general wiring in hazardous locations. Copper free aluminum enclosure.

- Ex d type flameproof enclosure.
- Four types of enclosures available.
- The degree of protection is IP66.

SPECIFICATIONS

Model	Terminal Spec
OPEB	2.5mm ² / 24A
	2.5mm ² / 24A
	4mm ² / 27A

Number of Terminal Block	Cable Entry Spec	Cable Entry Amount
Max. 4	¾" NPT / M25x1.5	Max.5

- Certification For OPEB Series Junction Box**
- Class I, Division 1, Groups A, B, C and D
 - Class I, Division 2, Groups A, B, C and D
 - Class II, Division 1, Groups E, F and G
 - Class II, Division 2, Groups F and G
 - Class III

Rated Voltage Max.800VAC
Rated Current 24A, 32A, 41A

- Ambient Temperature**
- Type A, B, C, D, E, F: Threaded joints
 - Type KB1: Flanged and threaded joints

DIMENSIONS

