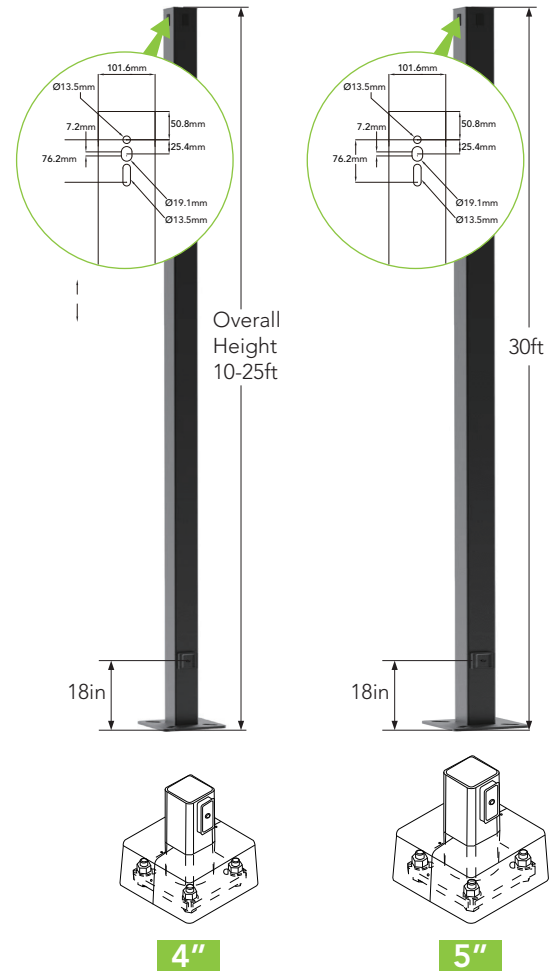


Project:	
Type:	
Catalog #:	

FEATURES & BENEFITS

- Pole top option:**
 Removable Die-casting Aluminum top cover (pole is drilled) or welded steel tenon (pole is mortise option) can be supplied on customer's request for fitting light fixtures. The drilling mode shall be provided by the customer, unless the project uses energy lamps; If the mortise and tenon option is selected, the customer needs to determine the appropriate mortise and tenon dimensions for the project.
- Vertical shaft:**
 Hot rolled commercial quality welded steel pipe with a minimum yield strength of 42,000 psi is rugged and can be used to manufacture pole shafts.
- Handhole:**
 The reinforced handhole is located at a 12" base and can be used according to the selected lighting application.
- Base cover:**
 A 2-piece ABS plastic base cover is available, easy to assemble and mount on the pole, and securely attached.
- Anchor bolts:**
 Each bolt includes 2 nuts and 2 washers. The top of the anchor bolt is threaded and can be used to secure and level rods with accompanying nuts and washers.
- Color and finish options:**
 Commercial grade, ultra durable powder coating, hot dip galvanizing process for greater hardness and durability. Powder-coated, hot-dip galvanizing is available as a premium option.
- Other Options:**
 The following options are available: Shock absorber, custom mortise and tenon size, custom color, electric /GFI socket, custom rod height, additional hand holes, UL compliant hand holes and custom base plate size.



ORDERING INFORMATION

Example:

MSP	SSS	4	7G	15FT	D	A1
Company Code	Pole Type	Shaft Size	Thickness	Height	Finish	Anchor Bolt
MSP	SSS Square Straight Steel	4 4"	7 (0.179")	10	D Dark Bronze	Blank None
		5 5"	11 (0.12")	15	B Black	A1 3/4" x 17"
				20	W White	A2 3/4" x 30"
				25	SG Silver Gray	A3 1" x 36"
				30		

Note:

- 10-25ft suit for 4in, 11G.
- 30ft only suit for 5in, 7G, see technical details table for complete ordering information.

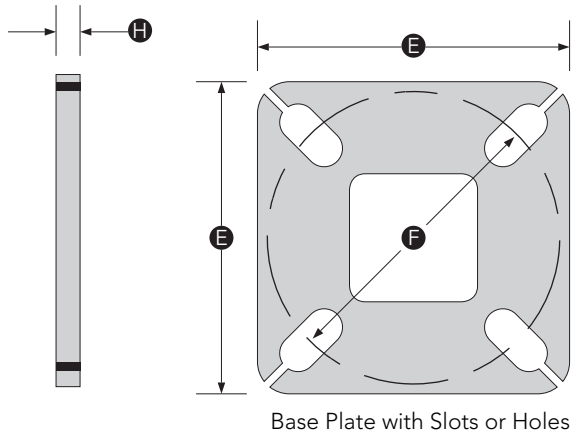
Options

- 4B 4" Square Base Cover
- 5B 5" Square Base Cover
- 4R Rainproof Cover for 4" Square Pole
- 5R Rainproof Cover for 5" Square Pole

TECHNICAL DETAILS

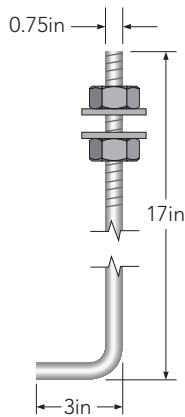
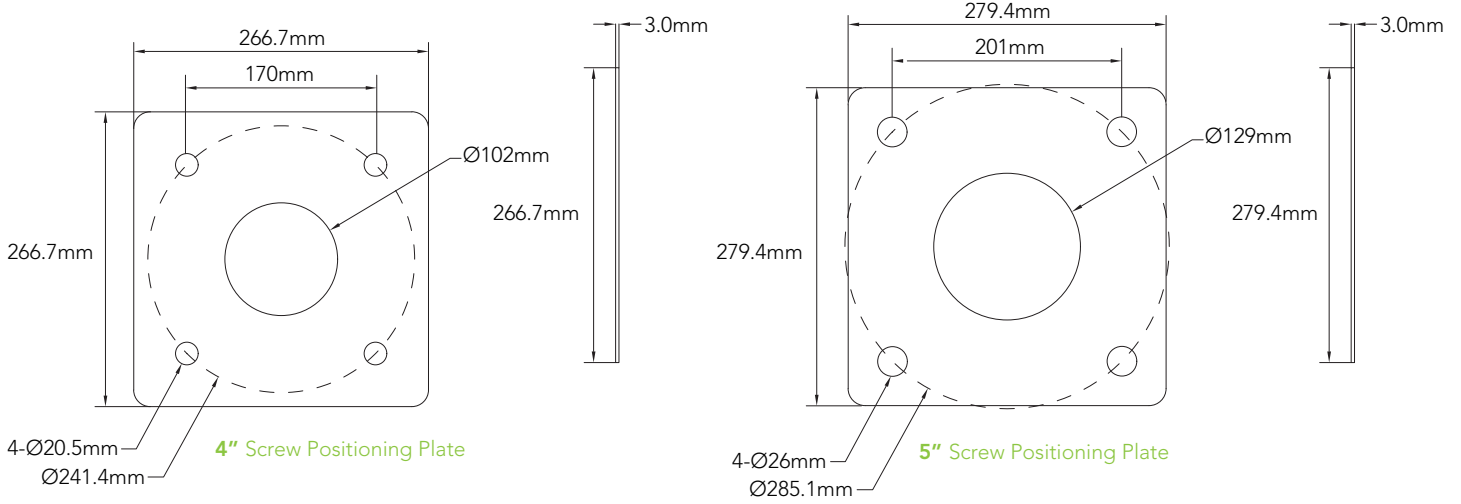
Catalog Number	Shaft Size (in)	Shaft Height (ft)	Wall thick (in)	Gauge	Weight (LBS)	Maximum EPA with 1.3 Gust Factor															
						80 mph	Max weight	90 mph	Max weight	100 mph	Max weight	110 mph	Max weight	120 mph	Max weight	130 mph	Max weight	140 mph	Max weight	150 mph	Max weight
MSPSS41110DA1	4"	10	0.120	11	76	30.6	765	23.8	595	18.9	470	14	325	10.5	263	8.5	213	7	175	6	150
MSPSS41115DA1	4"	15	0.120	11	113	17.9	450	13.5	335	10.3	250	7.2	185	6	145	4.4	112	3.3	85	2.4	60
MSPSS41120DA1	4"	20	0.120	11	138	9.6	240	6.7	165	4.5	150	2.5	100	2.5	62	1.5	38	-	-	-	-
MSPSS41125DA2	4"	25	0.120	11	170	4.8	150	2.6	100	1	50	-	-	-	-	-	-	-	-	-	-
MSPSS5730DA3	5"	30	0.179	7	380	10.7	267	6.7	167	3.9	100	1	25	-	-	-	-	-	-	-	-

ANCHORAGE DETAIL

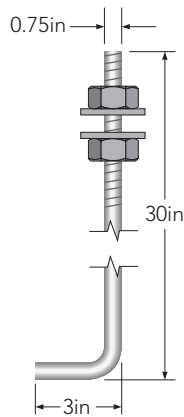


Anchor Base size	Wall thick H	Base Plate Square E	Bolt Circle Range (in)	Bolt Circle F	Bolt Projection
4"	0.75"	10.5"	8-11	9.5"	3.75"
5"	1"	11"	10.6-12	11.3"	4.875"

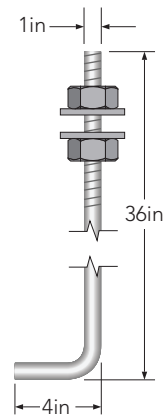
DIMENSIONS



A1 Anchor Bolt
Suit for 10ft, 15ft, 20ft



A2 Anchor Bolt
Suit for 25ft



A3 Anchor Bolt
Suit for 30ft