

Project:	
Type:	
Catalog # :	

FME Lighting | 877 - 234 - 8460 | info@fmelighting.com



SPECIFICATIONS

Mounting

Surface mounts to corner.

Housing

Die-formed cold rolled steel with seams welded and ground smooth. 304 Stainless steel available.

Door

One piece, die-formed cold rolled steel door with 14 gauge lens retainers and a full length welded pin piano hinge. 304 Stainless steel available

Internal Lens

Optic Plus lens (standard) completely hides diode image while providing greater than 90% light transmission.

Finish

Polyester powder-coated after phosphate pre-treatment for superior adhesion and corrosion resistance. Brushed stainless steel available.

Hardware

Recessed, stainless steel, tamper-proof fasteners.

Driver

0-10Vdc 1% dimming, >0.9 PF, <20% THD
Factory programmable, Operating temp -40°C Min. to 50°C Max

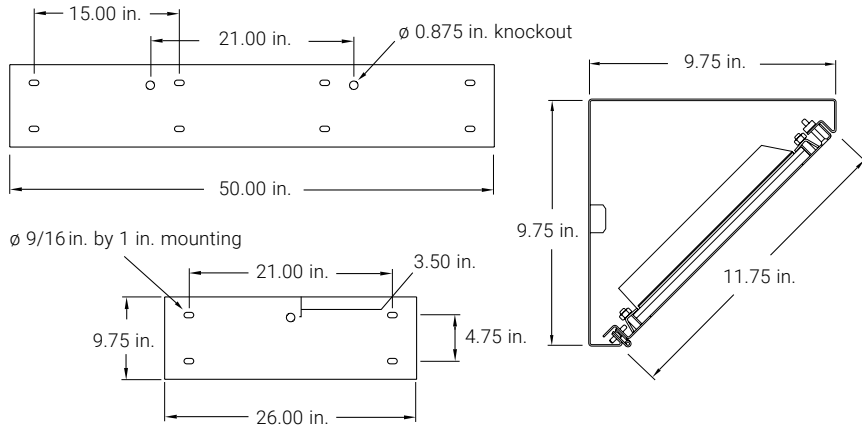
Wiring

Driver provided with pre-wired 3-wire self-aligning input power quick disconnect and 2-wire quick disconnect to LED module.

Certifications

UL Listed damp or wet location.
IP54 rated. Covered ceilings only

DIMENSIONS



ORDERING INFORMATION

ORDERING GUIDE

Series	Luminary Size	LED Designation	Voltage	CCT	CRI	Material Gauge	Material	Finish
LVT	2 = 2 ft. fixture 4 = 4 ft. fixture	Refer to the LED Source Table on Page 2 for available options.	V = Variable, 120-277V, 50/60Hz HV1 = 347VAC, 60Hz	S = 3000K T = 3500K I = 4000K C = 5000K	8 = 80 CRI 9 = 90 CRI	MIN = 18 gauge, minimum security MED = 16 gauge, medium security MAX = 14 gauge, maximum security	CR = Cold Rolled: Standard SS = Stainless Steel	W = White: Standard B = Brushed (Stainless Steel Only)

Internal Lens	External Lens	Door Fasteners	Electrical Access	UL Listing	Mounting	Accessory
OP = Optic Plus LED diffusing acrylic, standard DL = .125 in. LED diffusing Lexan PA = .125 in. K12 prismatic acrylic PP1 = .125 in K12 prismatic polycarbonate PP2 = .156 in. K12 prismatic polycarbonate PP3 = .187 in. K12 prismatic polycarbonate PT = .156 in. C73 prismatic tempered glass	CL1 = .187 in. clear polycarbonate CL2 = .250 in. clear polycarbonate CL3 = .375 in. clear polycarbonate CL4 = .500 in. clear polycarbonate CT1 = .187 in. clear tempered glass CT2 = .250 in. clear tempered glass CT3 = .375 in. clear tempered glass	AH = Stainless steel allen head with pin TH = Stainless steel torx head with pin N = Phillips, non-security	A = 2.250 in. diameter access hole B = 0.875 in. diameter knockout(s), standard	DL = Damp Location WL = Wet Location	CM = Corner mount WM = Wall mount (No top holes)	2W = Two-circuit wired CA = Canadian UL Listing EM = Emergency battery backup F = Fuse holder IO = Integral Occ Sensor NIL = Night light, LED (Amber available) 5-100% Adjustable SW = Security push on/off switch SC = Speaker compartment

CRI	LED Life
>80	>100,000

LED Source (Box 2)	3000K		3500K		4000K		5000K		Input Watts
	Delivered Lumens	L/W	Delivered Lumens	L/W	Delivered Lumens	L/W	Delivered Lumens	L/W	
2' Fixture									
1W24	2378	103	2414	105	2485	108	2555	111	23.0
2W45	4372	110	4437	112	4568	115	4696	119	39.6
2W60	5851	107	5939	108	6114	112	6285	115	54.8
4' Fixture									
1W25	2422	109	2459	110	2531	113	2602	117	22.3
1W45	4285	108	4350	110	4478	113	4603	116	39.6
1W60	5735	105	5822	106	5993	109	6161	112	54.8
2W80	7801	109	7918	111	8151	114	8379	117	71.5
2W105	10057	107	10208	109	10509	112	10803	115	93.7
2W120	11472	105	11644	106	11987	109	12323	112	109.6

Delivered lumen output calculated using 122 inner lens and 32 (.250" Clear Polycarbonate) outer lens **(Highlighted below)**.

Lens Multiplier - Use the multipliers below to adjust the delivered lumens					
Internal Lens			External Lens		
53	.125 in. K12 prismatic acrylic	1.00	30	.187" Clear polycarbonate	1.02
12	.125 in K12 prismatic polycarbonate	.98	32	.250" Clear Polycarbonate	1.00
15	.156 in. K12 prismatic polycarbonate	.97	36	.375" Clear polycarbonate	.96
16	.187 in. K12 prismatic polycarbonate	.95	38	.500" Clear polycarbonate	.92
75	.156 in. C73 prismatic tempered glass	.97	90	.187" Clear tempered glass	1.04
122	Optic Plus diffusing acrylic	1.00	92	.250" Clear tempered glass	1.03
90 CRI Multiplier		.86	96	.375" Clear tempered glass	.99

Specified Output Option

FME Lighting programmable drivers allows us to deliver a specific lumen output. If none of the options in the chart above fit your application, let us know the desired lumen output and we will do the rest. See the example how this will be specified.

Example Model:

LVT-XX¹___OP-CL2-(XX²/LUMENS)

LUMENS = You provide the lumens.

XX¹ = We will determine the number of rows.

XX² = We will provide the wattage information.