

Project:	
Type:	
Catalog # :	

FME Lighting | 877 - 234 - 8460 | info@fmelighting.com



### IP65

## SPECIFICATIONS

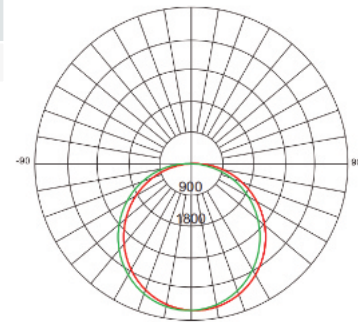
VOLTAGE	100-277 VAC
WATTAGE	18W
COLOR TEMP	3000/4000/5000/6000 Kelvin
HOUSING & LENS	Aluminum + PC
BEAM ANGLE	120°
CRI	>80
LED QTY	144PCS
LED TYPE	SMD2835LED
AMBIENT TEMP	-25°C TO 50°C
EMERGENCY TIME	120 minutes
EMERGENCY POWER	5W-8W
CHARGING TIME	≥10HRS
BATTERY TYPE	Polymer Lithium-Ion Battery ( 11.1V , 2AH )
THD	≤20%
PF	≥0.9
PROTECTION	IP65
WARRANTY	5 Year Limited Warranty

## KEY FEATURES

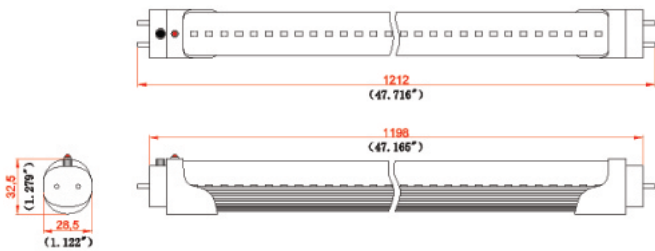
- Offers a sleek, low-profile suitable for indoor settings in industrial, warehouse, and retail spaces, complete with efficient LED driver and thermal regulation.
- Delivers enduring light quality with a lifespan of up to 30,000 hours for reliable, long-term performance.
- Features dual-functionality with standard T8 illumination and integrated emergency lighting, ensuring safety and compliance.
- Equipped with an in-built Polymer Lithium-Ion Battery and LED driver for consistent, uninterrupted operation.
- Utilizes a stable, high-precision driver that provides a steady current for optimal LED performance.
- Designed for user convenience, allowing for easy on-off control via a standard wall switch.
- Supports Type B installation for direct wiring setups, bypassing the need for traditional ballasts.

## LUMENS & OPTICS

Wattage	Luminous Flux	Emergency Luminous Flux	Lumen Efficacy
18W	2000lm±5%	1100lm±5%	115lm/W±5%



## DIMENSIONS



## ORDERING INFORMATION

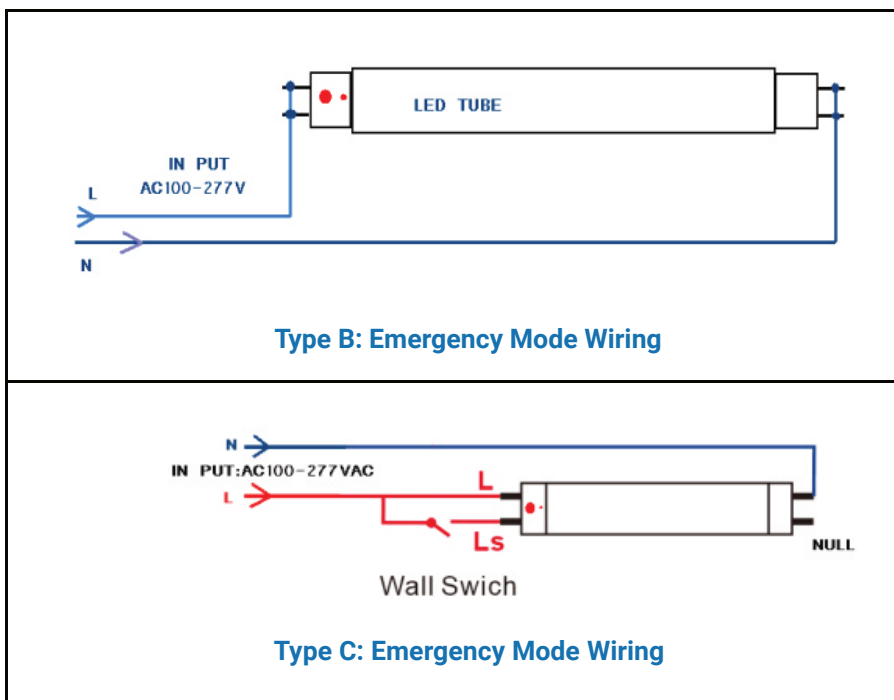
### ORDERING GUIDE

Series	Wattage	Voltage	CCT	Accessory
LMT	8 = 18W	LV1 = 100-277 VAC	S = 3000K I = 4000K C = 5000K K = 6000K	EM = Emergency Battery

### Installation Instruction

This lamp is for indoor use, if it will be used outdoor, please add waterproof protective device.

- Ensure that the input voltage is within the specified range before installation.
- Please turn off the power before Installation.
- Ensure that holders is connected with AC directly and safely.
- Turn on power to test after installation.
- Please see wiring example below.



#### Notice For User

- Please turn off the power before Installation.
- Turn on power to test after installation.
- Don't open the lamp and change electrical structure, to prevent damage to the lamp.
- *The seller won't be responsible if lamp was broken in this way.*
- Please refer to the installation instructions if lamp is not bright, and charging for the lamp.
- If wiring connection is correct, contact the dealer or service center with no appearance damage.

#### Default mode: Type B emergency mode

- When electricity supply is on and the switch is on: the lamp is ON;
- When electricity supply is on and the switch is off: the lamp is ON;
- When electricity supply is off and the switch is on: the lamp is ON;
- When electricity supply is off and the switch is off: the lamp is ON;

#### Type C Emergency Mode

- When electricity supply is on and the switch is on: the lamp is ON;
- When electricity supply is on and the switch is off: the lamp is OFF;
- When electricity supply is off and the switch is on: the lamp is ON;
- When electricity supply is off and the switch is off: the lamp is ON;

### Package Info.

Model	Carton Dimension	Qty/Carton	N.W/PCS	N.W/Carton	G.W/PCS	G.W/Carton
18W	135*25*24cm	30pcs	0.45kg	13.5kg	0.65kg	16.5kg

