

Project:	
Type:	
Catalog # :	

FME Lighting | 877 - 234 - 8460 | info@fmelighting.com



SPECIFICATIONS

Mounting

Surface mounts to ceilings or walls.
Able to be pendant mounted. Please consult factory

Housing

Marine grade aluminum extruded housing
and die-cast end caps.

Lens Frame

Marine grade aluminum extruded side rails
and die-cast ends captivates lens.

Finish

Polyester powder-coated after phosphate pre-treatment
for superior adhesion and corrosion resistance.

Lens

.125 in. thick extruded polycarbonate snap-fits into lens frame.
Fully illuminated opal lens completely hides diode image while
maintaining excellent transmission.

Gasket

Closed cell foam gasket continuously seals lens frame to housing
for up to IP67 rating.

Hardware

Stainless steel, tamper-proof fasteners
finished to match housing.

Driver

0-10Vdc 1% dimming, >0.9 PF, <20% THD
Factory programmable, Operating temp -40°C Min. to 50°C Max

Wiring

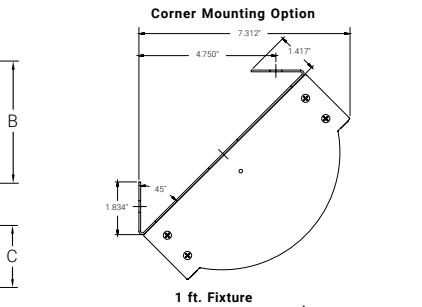
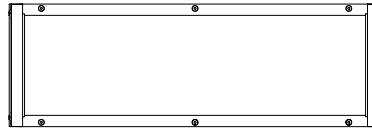
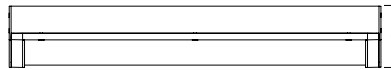
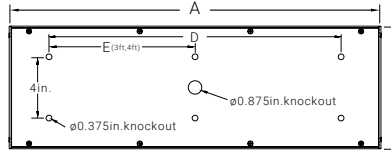
Driver provided with pre-wired 3-wire self-aligning
input power quick disconnect and 2-wire quick disconnect to LED module.

Certifications

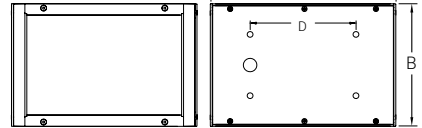
UL Listed wet location. IP65 rated. Optional IP66 (NEMA4 / 4X rated)
and IP67 ratings available. Constructed to pass MIL-
S-901 Grade A, Type A, High Impact Shock Test and
MIL-S-167 Type 1, Vibration Test. Suitable for use in Natatorium Environments.

DIMENSIONS

2 ft., 3 ft., and 4 ft. Fixtures



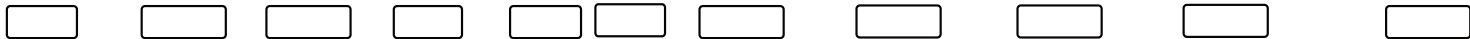
1 ft. Fixture



Size	A	B	C	D	E
1 ft.	12.2"	8.0"	3.7"	7"	-
2 ft.	24.2"	8.0"	3.7"	19"	9.5"
3 ft.	36.2"	8.0"	3.7"	31"	15.5"
4 ft.	48.2"	8.0"	3.7"	43"	21.5"

ORDERING INFORMATION

ORDERING GUIDE



Series	Luminary Size	LED Designation	Voltage	CCT	CRI	Finish	Hardware	IP Rating	Mounting	Accessory
GBM	1 = 1 ft. fixture 2 = 2 ft. fixture 3 = 3 ft. fixture 4 = 4 ft. fixture	Refer to the LED Source Table on Page 2 for available options.	V = Variable, 120-277 V, 50/60H	S = 3000K T = 3500K I = 4000K C = 5000K	8 = 80 CRI 9 = 90 CRI	W = White B = Matte Black G = Light Gray C = Custom Color (Contact Factory)	T = Torx head: Standard P = Phillips head	5 = IP65 Rated: Standard 6 = IP66 Rated, NEMA4 / 4X Rated 7 = IP67 Rated	PM** = Pendant mount CB = Corner mounting bracket RMxx*** = Row mounting	2W = Two-circuit wired AE = Anti-microbial coating (exposed areas) CA = Canadian UL Listing EM* = Emergency battery backup F = Fuse holder IO = Integral Occ Sensor P = Photocell NSF = NSF listing (refer to the NSF version of this cut sheet)

* - Not available on 1 ft. fixture
** - Pendant supplied by others. Customer must provide mounting hole template.
*** - XX= Length of row in feet. (Includes Chase Nipple(s), PVC Gasket(s), and Sealing Locknut(s))

CRI	LED Life
>80	>100,000

LED Source (Box 2)	3000K		3500K		4000K		5000K		Input Watts
	Delivered Lumens	L/W	Delivered Lumens	L/W	Delivered Lumens	L/W	Delivered Lumens	L/W	
1ft. Fixture									
1W4	460	121	467	123	480	126	494	130	3.8
1W8	790	116	802	118	825	121	849	125	6.8
1W11	1084	109	1100	111	1133	114	1165	118	9.9
2W18	1784	103	1810	105	1864	108	1917	111	17.3
2W20	1979	103	2008	105	2067	108	2126	111	19.2
2W22	2168	102	2200	104	2265	107	2330	110	21.2
2ft. Fixture									
1W18	1812	105	1839	107	1893	110	1947	113	17.2
1W29	2803	105	2845	106	2929	109	3013	112	26.8
2W41	3842	114	3899	115	4014	119	4129	122	33.8
2W51	4852	113	4924	115	5069	118	5214	121	43.0
2W60	5970	109	6059	111	6238	114	6416	117	54.8
3ft. Fixture									
1W21	2052	109	2083	111	2144	114	2205	117	18.8
1W32	3121	110	3168	112	3261	115	3354	118	28.4
1W42	4070	107	4130	108	4252	112	4373	115	38.1
2W56	5421	117	5502	119	5663	122	5825	126	46.3
2W67	6440	110	6536	111	6728	114	6921	118	58.8
2W75	7212	108	7320	110	7535	113	7750	117	66.5
4ft. Fixture									
1W29	2782	115	2823	117	2906	120	2989	124	24.2
1W43	4117	115	4178	117	4301	120	4424	124	35.8
1W57	5497	113	5580	114	5744	118	5908	121	48.8
2W76	7348	115	7458	117	7678	121	7897	124	63.7
2W90	8642	115	8771	116	9029	120	9287	123	75.4
2W100	9840	114	9986	116	10280	120	10574	123	86.0
2W120	12107	110	12288	112	12649	115	13011	119	109.6

Specified Output Option

Programmable drivers allow us to deliver a specific lumen output. If none of the options in the chart above fit your application, let us know the desired lumen output and we will do the rest. See the example below on how this will be specified:

Example Model:

GBM-XX¹-I-CS-W-V-(XX²/LUMENS)

LUMENS = You provide the lumens.

XX¹ = We will determine the number of rows.

XX² = We will provide the wattage information.

Photometric Data @ 80 CRI

Use the multipliers below to adjust the delivered lumens

90 CRI multiplier	.83
-------------------	-----



Lifetime Warranty: We are proud to offer the FME Lighting Assurance. FME Lighting High Abuse lighting products are manufactured to withstand today's complex and demanding environments. The FME Lighting Company will repair or replace any High Abuse or VR Architectural fixture when installed according to our instructions for the life of the original installation if the fixture should fail due to physical abuse.