

Project:	
Type:	
Catalog # :	

FME Lighting | 877 - 234 - 8460 | info@fmelighting.com



65W/98W



100W/135W/150W

SPECIFICATIONS

VOLTAGE	120-277VAC & 347-480VAC
WATTAGE	65W, 98W, 100W, 135W, 145W, 150W, 160W
POWER ADJUSTMENT	4 levels of output: 100%, 80%, 60%, 40%
COLOR TEMP	4000K & 5000K
OPERATING TEMP	-40°C to 50°C (-40°F to +122°F)
HOUSING	Cast-Aluminum with Corrosion-resistant powder coating
LENS	Tempered Glass
POWER FACTOR	>90% / THD <20%.
OPTIC	Type 3 and Clear Len <i>*See Page 2 for All Photometry Diagrams.</i>
LED LIFESPAN	Minimum 50,000h
DIMMING	1-10V Dimming
CONTROLS	Microwave Sensor
WARRANTY	5 Year Limited Warranty

KEY FEATURES

- **High Energy Savings:** Replaces up to 400W MH, saving about 86% of energy, and 50,000-hour LED lifespan.
- **Adjustable Lumens:** Offers lumen output options ranging from 10,000 to 23,000 Lumens, with 4 selectable wattage levels.
- **Flexible Voltage Options:** Input voltages of 120-277 VAC or 347/480 VAC, ensuring compatibility with various electrical systems.
- **Versatile Applications:** Ideal for commercial buildings, parking lots, gas stations, and exterior canopies.

LUMENS, OPTICS & DIMENSIONS

**See Page 2 for All Photometry Diagrams.
See Page 2 for All Dimensions Diagrams.

ACCESSORIES



Spring fitting
Description: fitting



Power Controller
Description: The wattage can be changed by switch selection on the controller.



Microwave Sensor, 12V
Description: Sensor can be built-in fixture.

ORDERING INFORMATION

ORDERING GUIDE

Series	Wattage	Voltage	CCT	Color	Lens	Controls <i>CCT & Power Adjustable, etc</i>
CAS	65 = 65W (65, 52, 39, 26) 98 = 98W (98, 78, 59, 39) 10 = 100W (100, 80, 60, 40) 13 = 135W (135, 108, 81, 54) 14 = 145W (135, 108, 81, 54)* 15 = 150W (150, 120, 90, 60) 16 = 160W (150, 120, 90, 60)*	LV = 100-277V HV = 347/480V (347-480V)*	4K = 4000K 5K = 5000K	D = Dark Bronze B = Black W = White S = Silver Gray	3 = Type 3 Lens CD = Clear Diffuser	AD = With Dial MS = Motion Sensor S = Sensor MD = Motion Sensor and Dial BLANK = Without Control

Notes:
1. 135W model is in 120-277V, it's 145W in 347/480V.
2. 150W model is in 120-277V, it's 160W in 347/480V.
3. Only 65W, 98W and 100W suit for 347-480V input voltage

DETAILS

Construction

- Die-cast aluminum housing secures the thermally conductive LED panel and electrical chamber.
- Casting thermally conducts LED heat to optimize performance and long life.
- With corrosion-resistant powder coating that provides protection and architectural appearance while adapting well to the indoor and outdoor environment.

Optics

- Light engines are available in standard 4000 K and 5000 K (70 CRI) configurations.
- Scalable Lumen Packages from 10,000 to 23,000 Lumens.
- Tempered glass lens is designed for excellent light output and uniformity.
- The optional Type III light type provides corner illumination without wasting light.

Electrical

- Universal 120-277 VAC or 347/480VAC input voltage.
- Optional for wattage selectable 100%, 80%, 60%, 40%.
- 0-10V dimming driver standard for 10% to 100% dimming.
- Both drivers have a power factor >90%, THD <20%.
- Operating Temperature Range: -40°C to 50°C (-40°F - + 122°F).

Lifespan

- Estimated 50,000-hour LED lifespan based on IES LM-80 results and TM-21 calculations.

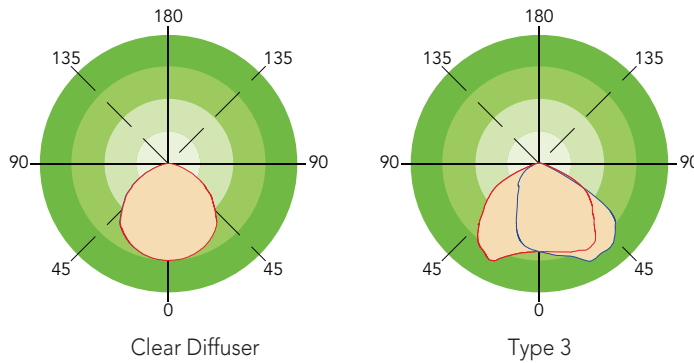
Certifications

- UL cUL wet location listed.

Note

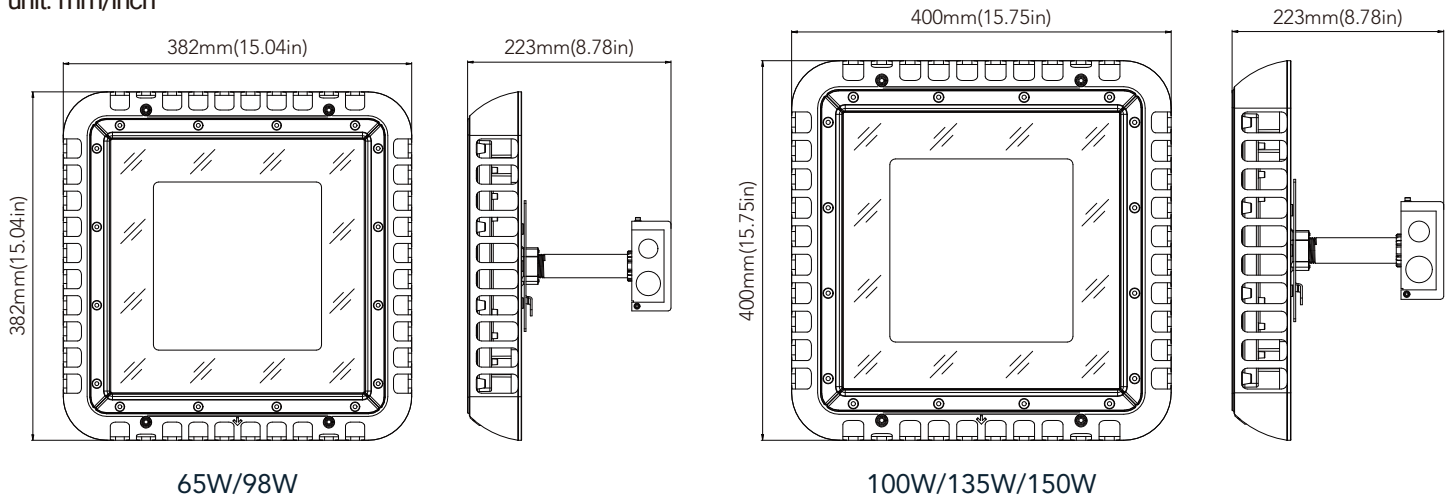
- Actual performance may differ as a result of end-user environment and application. All values are design or typical values, measured under laboratory conditions at 25°C(±5°C) specifications subject to change without notice.

PHOTOMETRY



DIMENSIONS

unit: mm/inch



Weight:

- 100W: 4.95kg(10.91lbs)
- 135W/150W: 4.86kg(10.91lbs)
- 145W/160W: 5.96kg(13.14lbs)

PERFORMANCE DATA

CAS-65 (Clear Diffuser Distribution)						
SETTING	SYSTEM WATTS	DISTRIBUTION	4000K		5000K	
			LUMENS (70CRI)	LPW (70CRI)	LUMENS (70CRI)	LPW (70CRI)
100%	65W	Clear Diffuser	10000lm	154 lm/W	10000lm	154 lm/W
80%	52W	Clear Diffuser	8200lm	158 lm/W	8200lm	158 lm/W
60%	39W	Clear Diffuser	6300lm	162 lm/W	6300lm	162 lm/W
40%	26W	Clear Diffuser	4400lm	169 lm/W	4400lm	169 lm/W

CAS-98 (Clear Diffuser Distribution)						
SETTING	SYSTEM WATTS	DISTRIBUTION	4000K		5000K	
			LUMENS (70CRI)	LPW (70CRI)	LUMENS (70CRI)	LPW (70CRI)
100%	98W	Clear Diffuser	15000lm	153 lm/W	15000lm	153 lm/W
80%	78W	Clear Diffuser	12300lm	158 lm/W	12300lm	158 lm/W
60%	59W	Clear Diffuser	9600lm	163 lm/W	9600lm	163 lm/W
40%	39W	Clear Diffuser	6700lm	172 lm/W	6700lm	172 lm/W

CAS-10 (Clear Diffuser Distribution)						
SETTING	SYSTEM WATTS	DISTRIBUTION	4000K		5000K	
			LUMENS (70CRI)	LPW (70CRI)	LUMENS (70CRI)	LPW (70CRI)
100%	100W	Clear Diffuser	15000lm	150 lm/W	15000lm	150 lm/W
80%	80W	Clear Diffuser	12300lm	154 lm/W	12300lm	154 lm/W
60%	60W	Clear Diffuser	9600lm	160 lm/W	9600lm	160 lm/W
40%	40W	Clear Diffuser	6700lm	166 lm/W	6700lm	166 lm/W

CAS-13 (Clear Diffuser Distribution)						
SETTING	SYSTEM WATTS	DISTRIBUTION	4000K		5000K	
			LUMENS (70CRI)	LPW (70CRI)	LUMENS (70CRI)	LPW (70CRI)
100%	135W	Clear Diffuser	21000lm	156 lm/W	21000lm	156 lm/W
80%	108W	Clear Diffuser	17500lm	162 lm/W	17500lm	162 lm/W
60%	81W	Clear Diffuser	13600lm	168 lm/W	13600lm	168 lm/W
40%	54W	Clear Diffuser	9500lm	176 lm/W	9500lm	176 lm/W

CAS-13 (Type 3 Distribution)						
SETTING	SYSTEM WATTS	DISTRIBUTION	4000K		5000K	
			LUMENS (70CRI)	LPW (70CRI)	LUMENS (70CRI)	LPW (70CRI)
100%	135W	Type 3	20000lm	148 lm/W	20000lm	148 lm/W
80%	108W	Type 3	16300lm	151 lm/W	16300lm	151 lm/W
60%	81W	Type 3	12700lm	157 lm/W	12700lm	157 lm/W
40%	54W	Type 3	8800lm	163 lm/W	8800lm	163 lm/W

CAS-15 (Clear Diffuser Distribution)						
SETTING	SYSTEM WATTS	DISTRIBUTION	4000K		5000K	
			LUMENS (70CRI)	LPW (70CRI)	LUMENS (70CRI)	LPW (70CRI)
100%	150W	Clear Diffuser	23000lm	153 lm/W	23000lm	153 lm/W
80%	120W	Clear Diffuser	19000lm	158 lm/W	19000lm	158 lm/W
60%	90W	Clear Diffuser	14800lm	164 lm/W	14800lm	164 lm/W
40%	60W	Clear Diffuser	10200lm	170 lm/W	10200lm	170 lm/W

PERFORMANCE DATA

CAS-15 (Type 3 Distribution)						
SETTING	SYSTEM WATTS	DISTRIBUTION	4000K		5000K	
			LUMENS (70CRI)	LPW (70CRI)	LUMENS (70CRI)	LPW (70CRI)
100%	150W	Type 3	22000lm	147 lm/W	22000lm	147 lm/W
80%	120W	Type 3	18000lm	150 lm/W	18000lm	150 lm/W
60%	90W	Type 3	14000lm	156 lm/W	14000lm	156 lm/W
40%	60W	Type 3	9700lm	162 lm/W	9700lm	162 lm/W

ELECTRICAL DATA

NUMBER OF DRIVERS	DRIVER CURRENT (mA)	NOMINAL POWER (W)	INPUT VOLTAGE (V)	CURRENT (Amps)
1	1750	65	120	0.54
		65	208	0.31
		65	240	0.27
		65	277	0.23
		65	347	0.19
		65	480	0.14
1	2600	98	120	0.82
		98	208	0.47
		98	240	0.41
		98	277	0.35
		98	347	0.28
		98	480	0.20
1	2600	100	120	0.83
		100	208	0.48
		100	240	0.42
		100	277	0.36
		100	347	0.29
		100	480	0.21
1	1200	135	120	1.13
		135	208	0.65
		135	240	0.56
		135	277	0.49
		145	347	0.42
		145	480	0.30
1	1200	150	120	1.25
		150	208	0.72
		150	240	0.63
		150	277	0.54
		160	347	0.46
		160	480	0.33