

Retrofit Styles



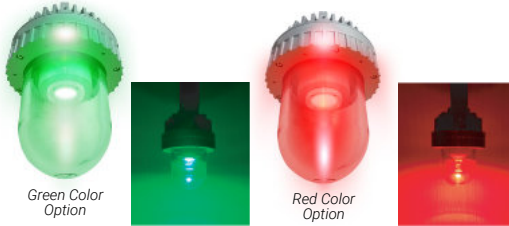
PNA

PNC

PNK

Prismatic Glass Globe

With Accessory "Guard"



Green Color Option

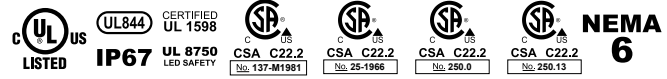
Red Color Option



Project:	
Type:	
Catalog #:	

FME Lighting | 877 - 234 - 8460 | info@fmelighting.com

## CERTIFICATIONS / RATINGS



## CLASS / DIVISION

- Class I, Div 2, Groups A, B, C, D • Class III
- Class II, Div 1, Groups E, F, G

## KEY FEATURES AND BENEFITS

- Applicable to high temperature environment, up to 100°C (212°F)
- Prismatic and Clear glass globe options with guard accessory.
- Marine grade housing / salt water spray resistant.
- RetroFit options saves on installation time when replacing competitors products.
- 3/4" NPT pendant hub standard.
- The light color is also available in Red (Warning Light) and Green (Eye Washer Indicator).

## SPECIFICATIONS

<b>Voltage</b>	120VAC / 277VAC
<b>Wattage</b>	20W
<b>Color Temp</b>	White: 3000 Kelvin / 5000 Kelvin Colored: Red / Green
<b>Housing</b>	Aluminum Alloy
<b>Color</b>	Gray
<b>Lens</b>	Tempered Glass: Clear Glass Globe Prismatic Glass Globe
<b>Lifetime</b>	60,000 hrs L70
<b>CRI</b>	≥ 80 (3000K) / ≥70 (5000K)
<b>Beam Angles</b>	X-110° / Y-110° (20w models)
<b>Power Factor</b>	Cos ≥ 0.9
<b>Dimming</b>	None Dimming
<b>Protection</b>	IP67 / NEMA 6
<b>Warranty</b>	5 Year Limited Warranty (See high ambient temperature applications for warranty exceptions)

## CLASS / DIVISION / TEMPERATURE

Models	Class/ Division	Ambient Temperature	T-Rating	IP Rating
ALL	Class I Division 2 Groups A, B, C, D	-40°C ~ +40°C (-40°F ~ +104°F)	T3C	IP67
	Class II Division 1 Groups E, F, G	+40°C (+104°F)	T4A	IP67
	Class III	N/A	N/A	IP67

## HIGH AMBIENT TEMPERATURE APPLICATIONS

### Non-Hazardous Location Applications - Temperature / Warranty Information

Some models of this light are rated for high ambient temperature operation in non-hazardous locations.

In hazardous locations, the lights **MUST** be operated within the UL rated temperature range detailed in the Class/Division/Temperature chart above. Warranty limitations apply to high ambient temp. operation

Models	Max Ambient Temp	Warranty
All Models	65°C (149°F)	5 Year Limited Warranty
20W 120/277vAC	85°C (185°F)	2 Year Limited Warranty
	100°C (212°F)	1 Year Limited Warranty

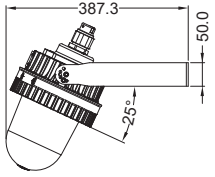
## LUMENS

Kelvin	20W
3000K	1,800
5000K	2,000

**MOUNTING OPTIONS**

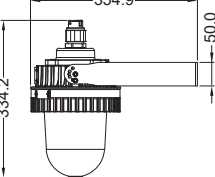
**AB - Adjustable Bracket (Wall/Hanging Mount 25° & 90°)**

Wall Mount 25°



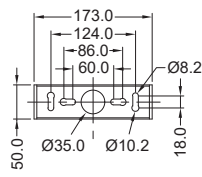
7.9 kg (17.4 lb)

Wall Mount 90°

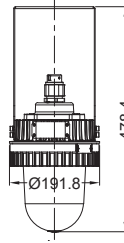


7.9 kg (17.4 lb)

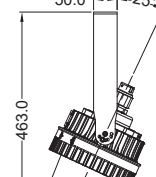
Hanging Mount 90°



7.9 kg (17.4 lb)



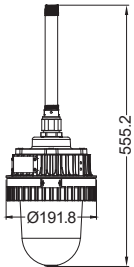
Hanging Mount 25°



7.9 kg (17.4 lb)

**PM - Pedant Mount (Straight Electrical Tube)**

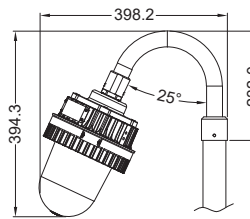
Straight Electrical Tube



8.4 kg (18.5 lb)

**2SM - 25° Stanchion Mount (Bending Electrical Tube 25°)**

Bending Electrical Tube 25°

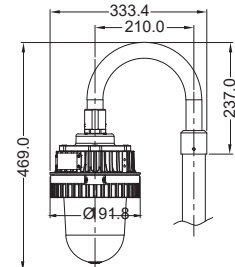


8.4 kg (18.5 lb)

NPT 1-1/2" threaded connector

**9SM - 90° Stanchion Mount (Bending Electrical Tube 90°)**

Bending Electrical Tube 90°



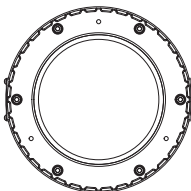
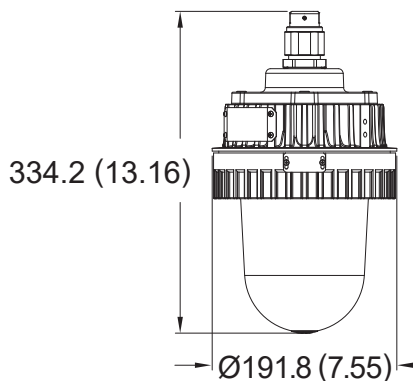
8.5 kg (18.7 lb)

NPT 1-1/2" threaded connector

**WEIGHTS AND DIMENSIONS**

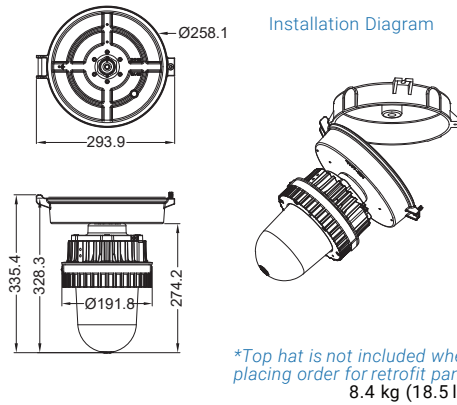
Dimension in Millimeters (inches)

Configuration	lbs
20W Model	16.3 lb

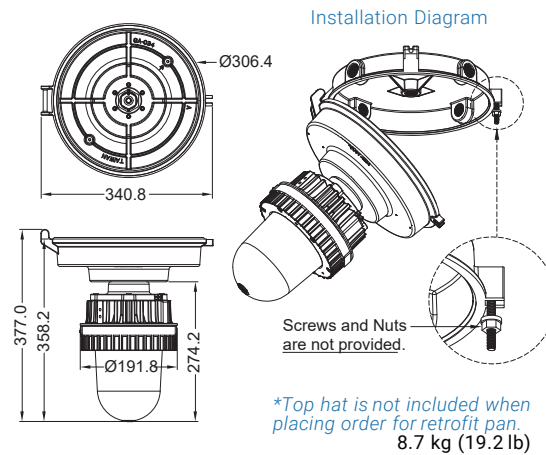


### Mounting Box Option & Dimensions (All in mm)

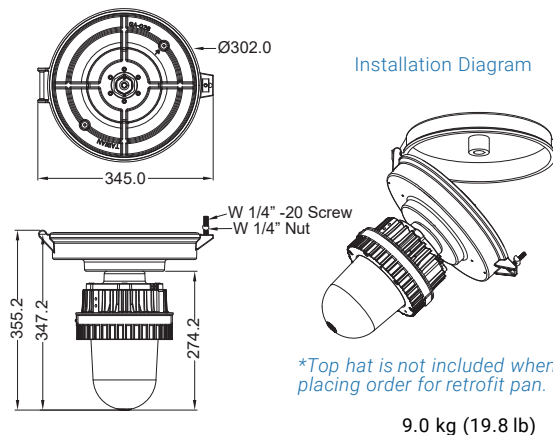
#### PNC - Retrofit Kit for Crouse



#### PNA - Retrofit Kit for Appleton

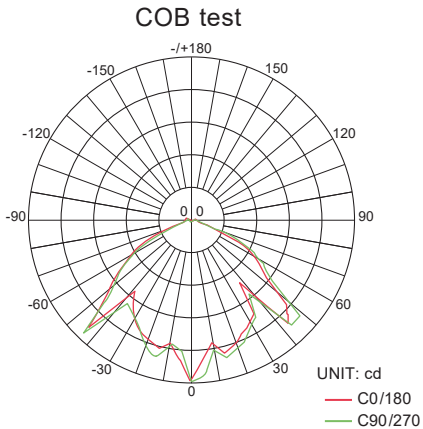


#### PNK - Retrofit Kit for Killark/Hubbell



### OPTICS REPORT LIGHT DISTRIBUTION

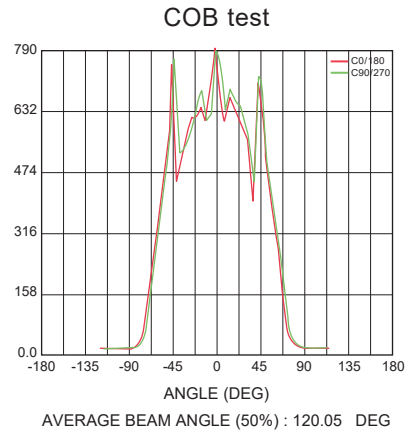
#### Polar Luminous & Intensity Distribution



#### LUMENS

Kelvin	20W
3000K	1,800
5000K	2,000

#### Luminous & Intensity Distribution Diagram



## ORDERING INFORMATION

### ORDERING GUIDE

Series	Wattage	Voltage	CCT	Mounting*	Globe	Accessory
CAN-2	2 = 20W	LV1 = 120 VAC LV2 = 277 VAC	S = 3000K C = 5000K R = Red G = Green	AB = Adjustable Mount (Wall/ Hanging) 2SM = 25° Stanchion Mount 9SM = 90° Stanchion Mount PNC = Mounting Box - Crouse PNA = Mounting Box - Appleton PNK = Mounting Box - Hubbell/Krillark PNH = Mounting Box - Holophane PND = Mounting Box - Dialight	PG = Prismatic Glass CG = Clear Glass	JB = Junction Box NPT = 3/4" NPT: Pedant Standard WG1 = Globe Guard

\*Prior to ordering, we suggest you try our sample mounting box, to ensure compatibility



## KEY FEATURES AND BENEFITS

The OPEB series junction box intend to be used or explosive atmospheres. For general wiring in hazardous locations. Copper free aluminum enclosure.

- Ex d type flameproof enclosure.
- Four types of enclosures available.
- The degree of protection is IP66.

## SPECIFICATIONS

Model	Terminal Spec
OPEB	2.5mm <sup>2</sup> / 24A
	2.5mm <sup>2</sup> / 24A
	4mm <sup>2</sup> / 27A

Number of Terminal Block	Cable Entry Spec	Cable Entry Amount
Max. 4	¾" NPT / M25x1.5	Max.5

- Certification For OPEB Series Junction Box**
- Class I, Division 1, Groups A, B, C and D
  - Class I, Division 2, Groups A, B, C and D
  - Class II, Division 1, Groups E, F and G
  - Class II, Division 2, Groups F and G
  - Class III

**Rated Voltage** Max.800VAC  
**Rated Current** 24A, 32A, 41A

- Ambient Temperature**
- Type A, B, C, D, E, F: Threaded joints
  - Type KB1: Flanged and threaded joints

## DIMENSIONS

