

| | |
|-------------|--|
| Project: | |
| Type: | |
| Catalog # : | |

FME Lighting | 877 - 234 - 8460 | info@fmelighting.com



SPECIFICATIONS

| | |
|-------------------------------|-----------------------------------|
| INPUT VOLTAGE | AC120-277V/120-347V/277-480V |
| INPUT FREQUENCY | 50/60Hz |
| POWER FACTOR | 0.95 |
| CCT | 2700K-6500K/RGB/RGBW |
| CRI | Ra70(Standard), Ra80(Optional) |
| THD | <15% |
| POWER SUPPLY | Inventronics/Sosen |
| SURGE PROTECTION | 10kV (Standard) / 20kV (Optional) |
| AMBIENT OPERATING TEMPERATURE | -40°C to 50°C (-40°F to 122°F) |
| HOUSING MATERIAL | Cold Forging Aluminum (AL1050) |
| LENS MATERIAL | Anti-UV PC Optical Material |
| LIFESPAN | 50,000 hours L70B50@35°C |
| PROTECTION | IP66/IK09 |
| MOUNTING | Bracket Mounting/Pole Mounting |
| DIMMING | 0-10V Dimming |
| INTELLIGENT CONTROL | DMX512/RDM/DALI |
| WARRANTY | 5-Year Standard Warranty |

KEY FEATURES

- **High Efficiency:** Over 93% total efficiency with up to 80% energy savings compared to traditional lighting.
- **Durability:** Crafted from cold forging aluminum (AL1050) for a rugged and weather-tight structure.
- **Resilience:** Designed to withstand extreme conditions, suitable for high vibration and outdoor environments.
- **Customization:** Offers RGB/RGBW lighting options with external or built-in power supplies.
- **Advanced Control:** Features DALI, DMX512, RDM wireless control, and 0-10V dimming capabilities.
- **Heat and Corrosion Resistant:** The aluminum housing with polyester powder coating ensures excellent heat dissipation and corrosion resistance.
- **Precision Aiming:** Optional laser aiming device for precise control of light angling and positioning.
- **Modular Design:** Special circuitry allows each module to operate independently.
- **Optical Quality:** High-quality materials and varied light distribution angles for optimal illumination and visual comfort.
- **Versatile Applications:** Ideal for a wide range of areas including sports facilities, stadiums, industrial sites, and public spaces.

LUMENS & OPTICS

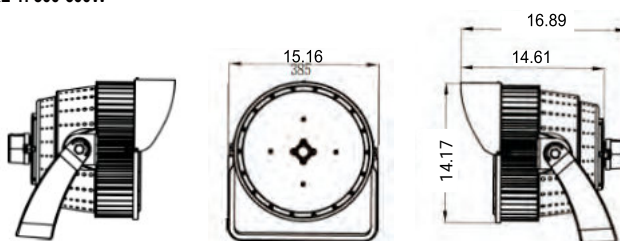
*See Pages 6 & 7 for Charts

| | ARL-1 | ARL-2 | ARL-3 |
|-----------------------|---|--|--|
| Lumen Output | 45,900lm-93,000lm | 106,560lm-162,000lm | 148,000lm-243,000lm |
| Lumens Per Watt @Ra70 | 300W: 170lm/W 400W: 165lm/W 500W: 155lm/W | 720W: 165lm/W 800W: 160lm/W 1000W: 150lm/W 1200W: 135lm/W | 1000W: 165lm/W 1200W: 155lm/W 1600W: 140lm/W 1800W: 135lm/W |
| Lumens Per Watt @Ra80 | 300W: 153lm/W 400W: 148lm/W 500W: 140lm/W | 720W: 148lm/W 800W: 144lm/W 1000W: 135lm/W 1200W: 120lm/W | 1000W: 148lm/W 1200W: 140lm/W 1600W: 126lm/W 1800W: 121lm/W |

DIMENSIONS

*See Pages 3 through 5 for All Diagrams.

With Built-in Power Supply:
ARL-1: 300-600W



ORDERING INFORMATION

ORDERING GUIDE

| Series | Type | Wattage | Voltage | CCT | Dimmable | Beam Angle | Sensor | Remote Driver Box | | | |
|--------|------------|------------|--|-----------|----------------------------------|--|--|--|-------------------|-----------|-----------|
| ARL | 1 | 3 = 300W | LV1 = 120-277 VAC LV2 = 277-480 VAC | A = 2200K | D = Dimming ND = None Dimming | S = 15° W = 40° T = 20° X = 45° U = 25° Y = 60° V = 30° Z = 80° | SE = With Sensor BLANK = Without Sensor | RD = With Remote Driver Box BLANK = Without Remote Driver Box | | | |
| | | 5 = 500W | | G = 5500K | | | | | | | |
| | | 4 = 400W | | H = 6000K | | | | | | | |
| | | 6 = 600W | | I = 6500K | | | | | | | |
| | | 2 | | 7 = 720W | | | | | HV1 = 200-480 VAC | D = 4000K | J = 7000K |
| | | | | 8 = 800W | | | | | HV2 = 120-347 VAC | E = 4500K | RGB |
| | 10 = 1000W | | HV3 = 220-400 VAC | F = 5000K | RGBW | | | | | | |
| | 3 | 12 = 1200W | | | | | | | | | |
| | | 15 = 1500W | | | | | | | | | |

* Please double check if desired Beam Angle is compatible with your fixture Type choice, using the chart on Page 2.

Series Accessory
Sold Separately

ARL-SA = Laser Aim Device

ARL-1 ARL-2 series



ARL-3 series



Technical Parameter

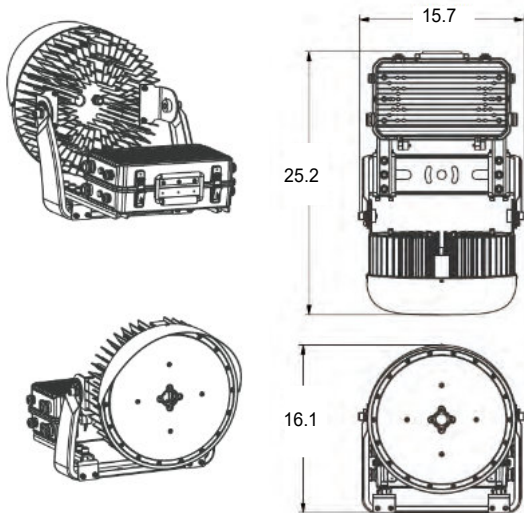
| Specification | ARL-1 | ARL-2 | ARL-3 |
|-----------------------|--|---|---|
| Rated Power | 300/400/500/600W | 720/800/1000/1200W | 1000/1200/1500/1600/1800W |
| Input Voltage | AC120-277V/120-347V/277-480V | | |
| Input Frequency | 50/60Hz | | |
| Power Factor | 0.95 | | |
| THD | <15% | | |
| Power Supply | Inventronics/Sosen | | |
| Surge Protection | 10kV (Standard) / 20kV (Optional) | | |
| Lumen Output | 45,900lm-93,000lm | 106,560lm-162,000lm | 148,000lm-243,000lm |
| Lumens Per Watt @Ra70 | 300W: 170lm/W, 400W: 165lm/W 500W: 160lm/W, 600W: 155lm/W | 720W: 165lm/W, 800W: 160lm/W 1000W:150lm/W, 1200W: 135lm/W | 1000W: 165lm/W, 1200W:155lm/W 1500W:145lm/W, 1600W: 140lm/W 1800W:135lm/W |
| Lumens Per Watt @Ra80 | 300W: 153lm/W, 400W: 148lm/W 500W: 144lm/W, 600W: 140lm/W | 720W: 148lm/W, 800W: 144lm/W 1000W:135lm/W, 1200W: 120lm/W | 1000W: 148lm/W, 1200W:140lm/W 1500W:130lm/W, 1600W: 126lm/W 1800W:121lm/W |
| Beam Angle | 15°/20°/30°/45°/60° | 15°/20°/25°/40°/60°/80° | 15°/30°/45° |
| LED Type | 5050 (3737 for 15° beam angle*) | 5050 (3737 for 15° beam angle*) | 3030 (3737 for 15° beam angle*) |
| CCT | 2700K-6500K/RGB/RGBW | | |
| CRI | Ra70(Standard), Ra80(Optional) | | |
| Dimming | 0-10V Dimming | | |
| Intelligent Control | DMX512/RDM/DALI | | |

*Ra90 chip is customizable.

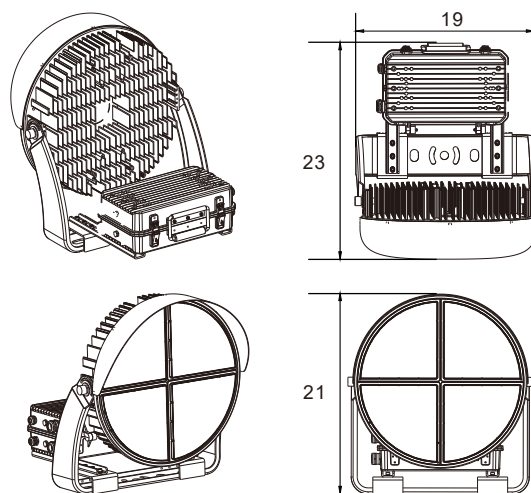
The Lumen efficiency of 3737 chip is 10% lower than that of other chips in average.

Product Dimensions in Inches

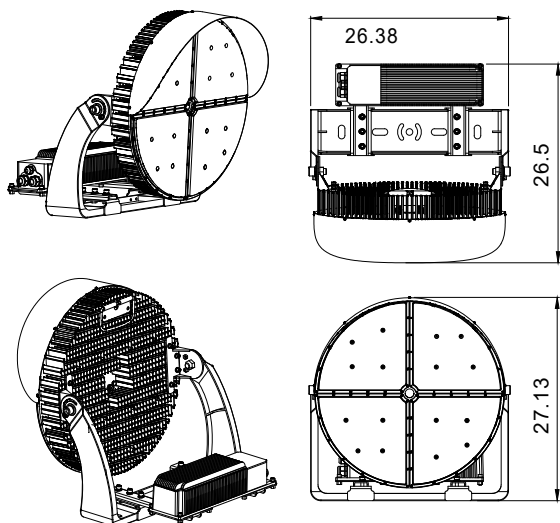
With External Power Supply:
ARL-1: 300-600W



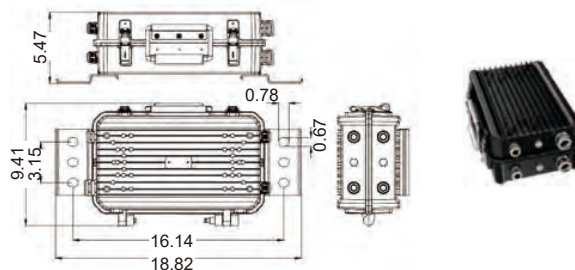
With External Power Supply:
ARL-2: 720-1000W



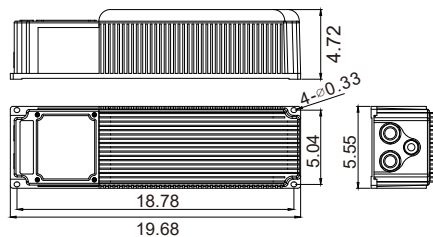
With External Power Supply:
ARL-3: 1000-1800W



External Power Supply
for 300/400/500/600/720/800/900/1000:

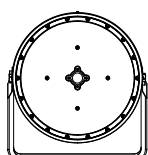


for 1000-1800W:

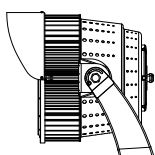


EPA

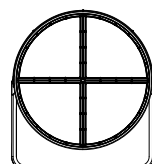
ARL-1: 300-600W



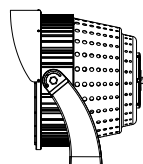
EPA: 1.25



EPA: 1.16

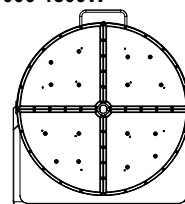


EPA: 2.01

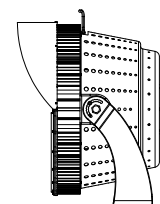


EPA: 1.72

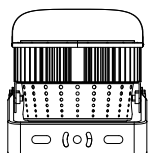
ARL-3: 1000-1800W



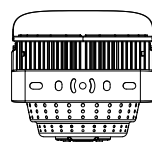
EPA: 4.03



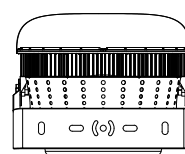
EPA: 2.79



EPA: 1.57



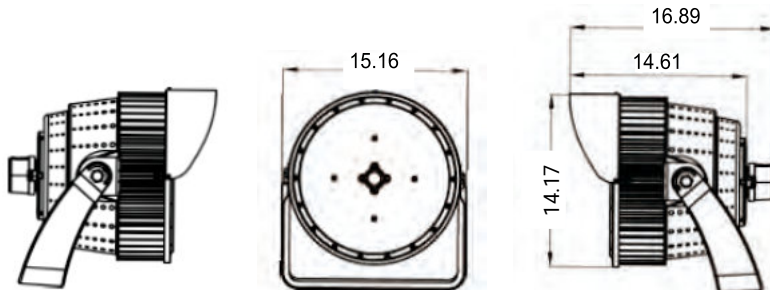
EPA: 1.97



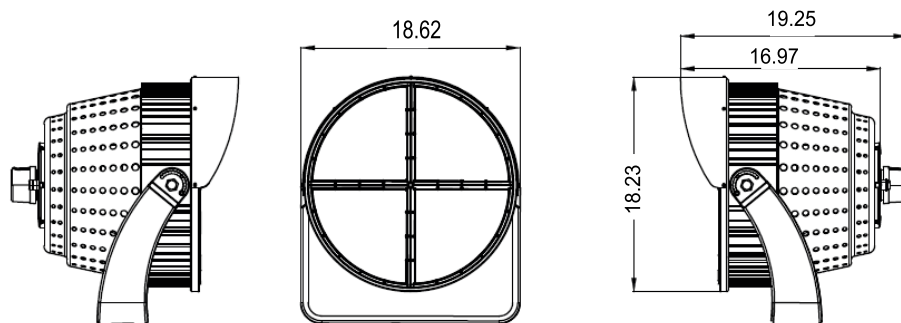
EPA: 3.59

Product Dimensions in Inches

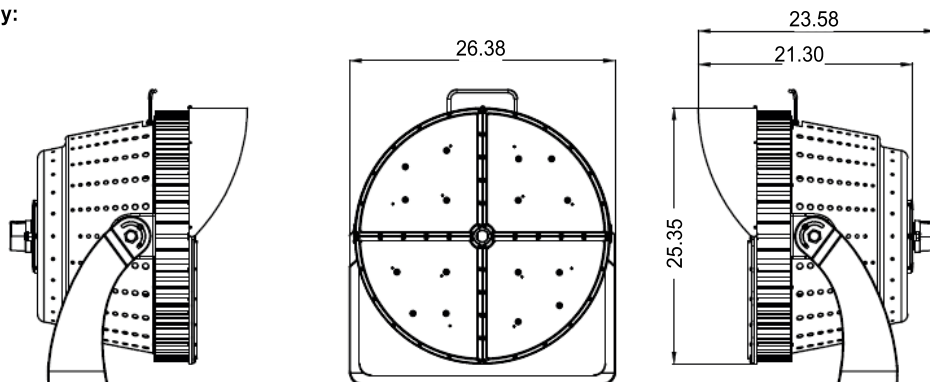
With Built-in Power Supply:
ARL-1: 300-600W



With Built-in Power Supply:
ARL-2: 720-1200W

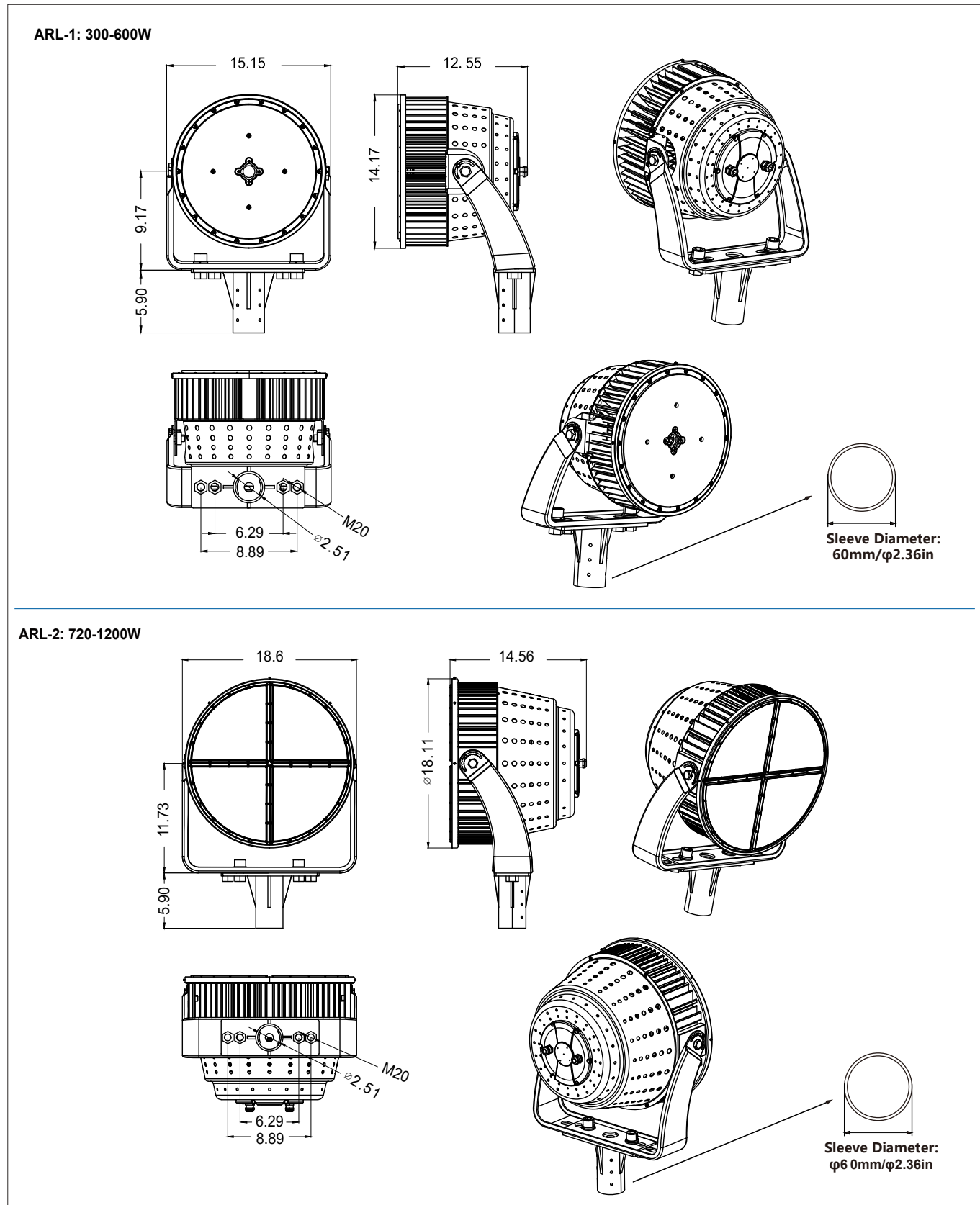


With Built-in Power Supply:
ARL-3: 1000-1800W



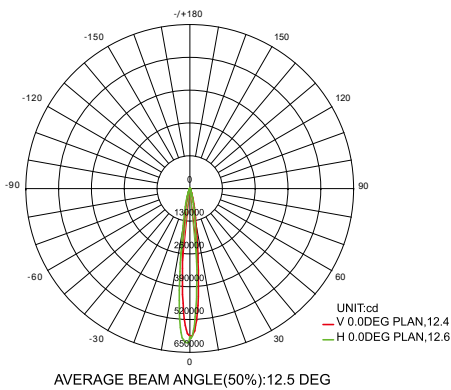
| Model | Net Weight (Product) | Quantity/ Carton | Gross Weight | Package Dimensions (LxWxH) |
|---|----------------------|------------------|---------------------|--|
| ARL-1 (with built-in driver) | 16.36kg (36.07lbs) | 1 pc | 18.16kg (40.03lbs) | 20.27x16.34x15.75inch (515x415x400mm) |
| ARL-2 (with built-in driver) | 25.79kg (56.86lbs) | 1 pc | 28.88kg (63.67lbs) | 25.00x21.06x18.31inch (635x535x465mm) |
| ARL-3 (with built-in driver) | 51.96kg (114.55lbs) | 1 pc | 57.47kg (126.70lbs) | 32.28x29.53x20.67inch (820x750x525mm) |
| ARL-1 (with external driver) | 10.96kg (24.16lbs) | 1 pc | 12.98kg (28.61lbs) | 21.06x16.34x12.99inch (535x415x330mm) |
| ARL-2 (with external driver) | 14.78kg (32.58lbs) | 1 pc | 18.58kg (40.96lbs) | 25.00x21.06x13.38inch (635x535x340mm) |
| ARL-3 (with external driver) | 33.16kg (73.10lbs) | 1 pc | 39.62kg (87.35lbs) | 32.28x29.53x15.75inch (820x750x400mm) |
| External Power Supply (for 300W/400W/500W/600W/ 720W/800W/900W/1000W/ 1100W/1200W) | 6.6kg (14.55lbs) | 1 pc | 7.8kg (17.19lbs) | 21.06x12.79x8.27inch (535x325x210mm) |
| External Power Supply (for 1300-1800W) | 6.1kg (13.45lbs) | 1 pc | 7.0kg (15.43lbs) | 21.65x7.48x6.69inch (550x190x170mm) |

Product Dimensions with Sleeve Bracket (without Visor) in Inches

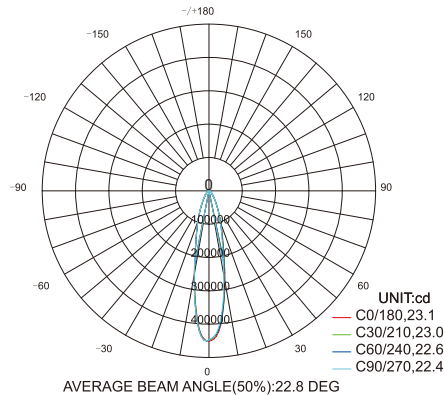


Photometric

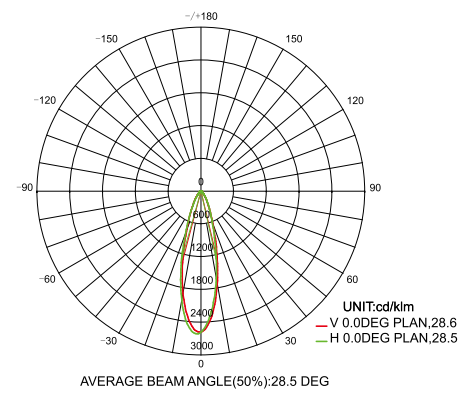
ARL-1 15 degrees



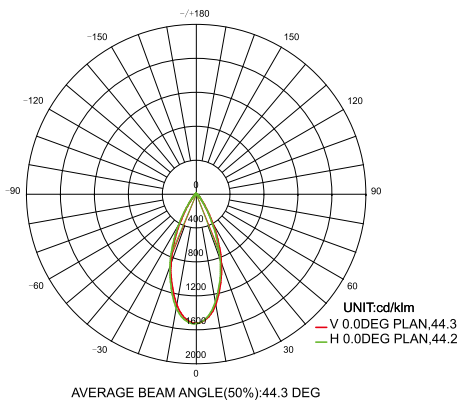
ARL-1 20 degrees



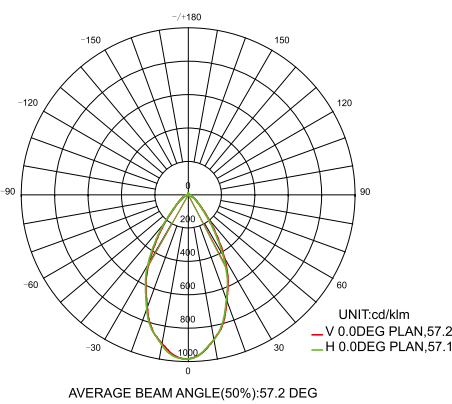
ARL-1 30 degrees



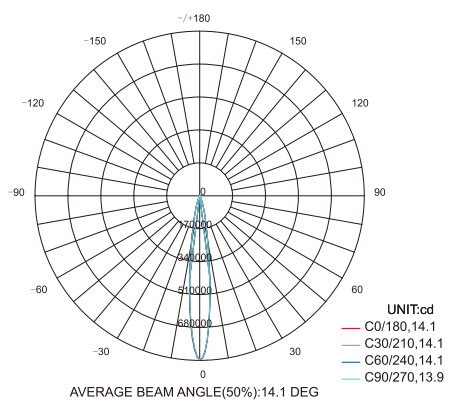
ARL-1 45 degrees



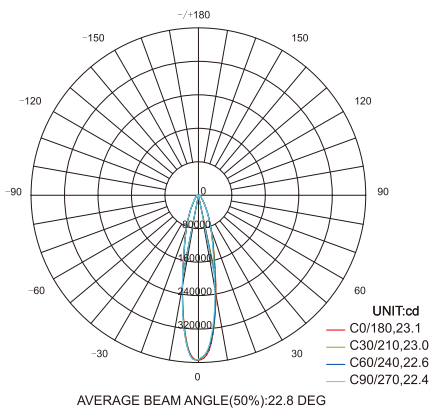
ARL-1 60 degrees



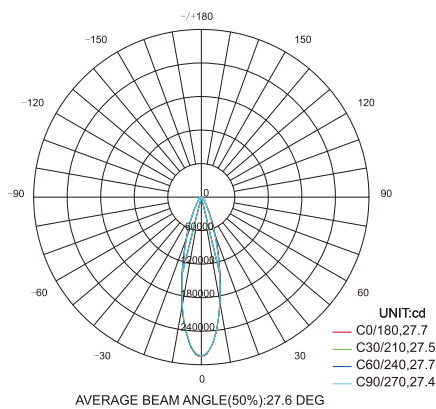
ARL-2 15 degrees



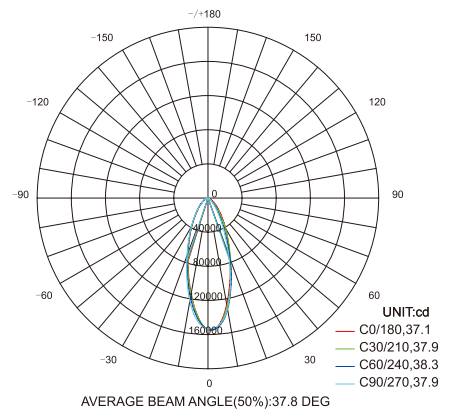
ARL-2 20 degrees



ARL-2 25 degrees

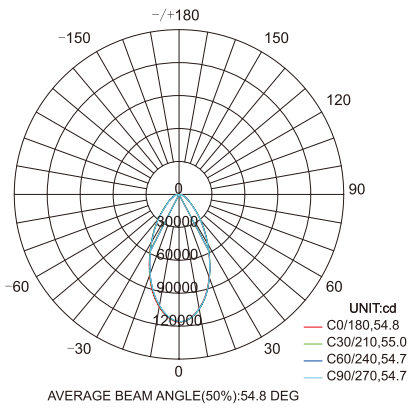


ARL-2 40 degrees

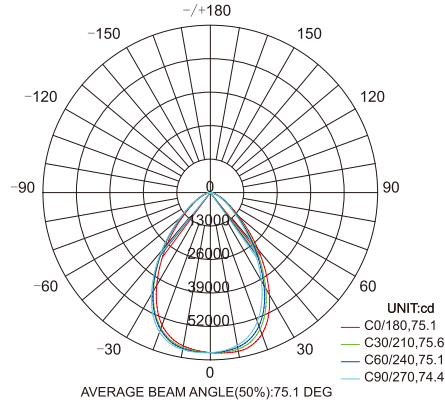


Photometric

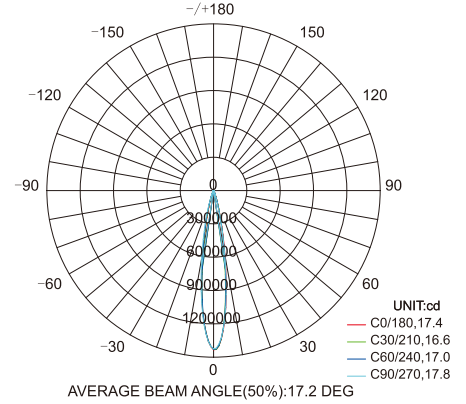
ARL-2 60 degrees



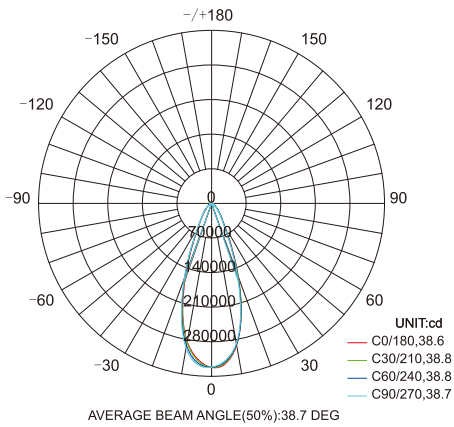
ARL-2 80 degrees



ARL-3 15 degrees



ARL-3 30 degrees



ARL-3 45 degrees

