

Project:	
Type:	
Catalog # :	

FME Lighting | 877 - 234 - 8460 | info@fmelighting.com



SPECIFICATIONS

Structural Base

A356 alloy sand cast aluminum, four bolt base. A large access base cover is also available as an option. A grounding lug is also provided

Handholes

All standards in this model range include a peripherally reinforced handhole centered 18" above the bottom of the standard. The opening in the 4" and 5", diameter standard measures 23/8" x 41/2".

Tenons

- SPT = Standard for post top (27/8" OD x 3" tall)
- SSC = Standard for shepherd's crook arms (27/8" OD x 5.5" tall)
- CAP = Removable cap, no tenon

Anchor Bolts

Standard with each pole: includes four 3/4-10x25" steel hot dip galvanized anchor bolts; each with two nuts, two flat washers and one lock washer.

Finish & Color

- Standard Finishes:
 - High gloss black, textured black, high gloss white, medium bronze, dark bronze, green, gray, silver metallic
- Premium finishes (adder):
 - Verde patina, pewter patina, silver sparkle, semi gloss or matte black
- Custom and Marine-grade finishes are available:
 - All RAL colors are available to match (adder).

Accessories

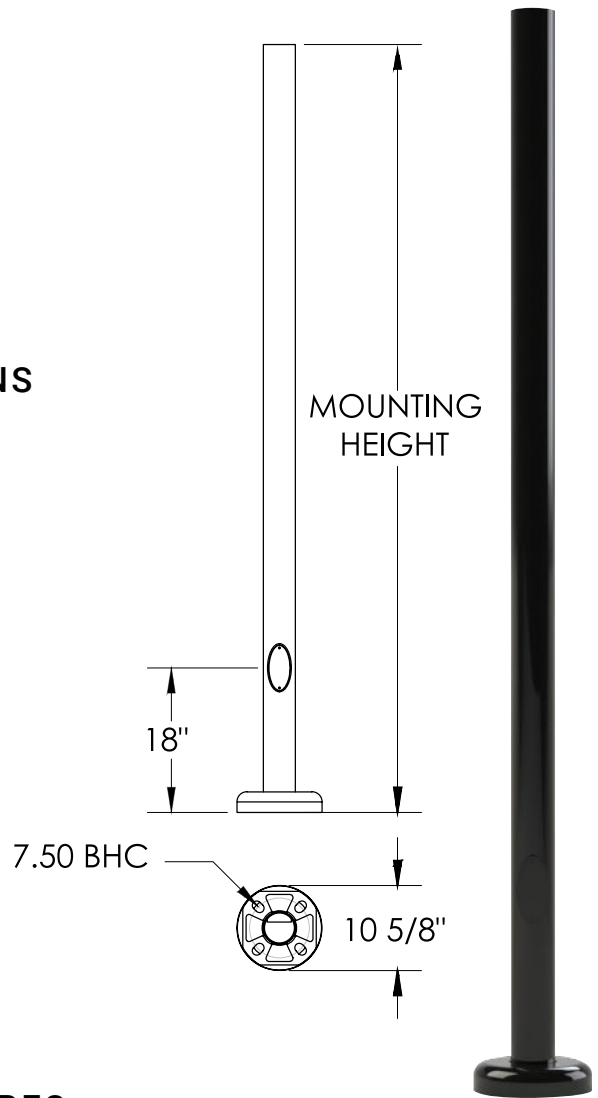
- GFIA = Weatherproof GFI in-use cover, cast aluminum*
- GFIP = Weatherproof GFI in-use cover, plastic*
- USB = Dual USB Port*
- SBC = Split Spun Base Cover

*Must indicate location (See Orientation Guide)

Warranty

5 year limited warranty

DIMENSIONS



KEY FEATURES

- Flexible mounting options suitable for 8' to 20' standard mounting heights.
- Compatible for single or multiple luminary mounting configurations, offering versatility in lighting arrangements.
- Luminary installation options include mounting on tenons, brackets, or shafts drilled according to manufacturer's specifications.

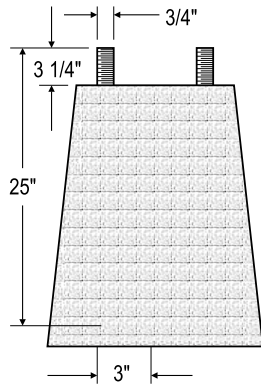
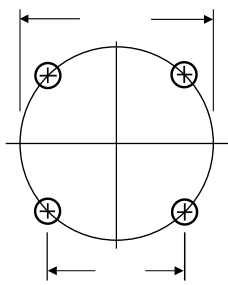
ORDERING INFORMATION

ORDERING GUIDE

Series	Diameter (Inches)	Height (Feet)	Type	Wall Size	Tenon	Finish & Color	Anchor Bolts	Accessory
ALP	4 = 4" Straight 5 = 5" Straight	8 = 8' 10 = 10' 12 = 12' 14 = 14' 16 = 16' 18 = 18' 20 = 20'	S = Smooth F = Fluted	Refer Chart on Page 2	SPT = Standard for post top (27/8" OD x 3" tall) SSC = Standard for shepherd's crook arms (27/8" OD x 5.5" tall) CAP = Removable cap, no tenon	STANDARD FINISHES B = Black TB = Textured Black BR = Bronze DBR = Dark Bronze W = White GR = Light Gray SV = Silver Metallic G = Green PREMIUM COLORS (ADDER) SB = Satin Brushed VP=Verde Patina SS=Silver Sparkle PP=Pewter Patina	Leave blank if you need anchor bolts LAB=Less Anchor Bolts - Customer supplies own Anchor Bolts* *Customer is responsible for specifications of their own anchor bolts. FME does not assume any product warranty liability.	GFIA = Weatherproof GFI in-use cover, cast aluminum* GFIP = Weatherproof GFI in-use cover, plastic* USB = Dual USB Port* SBC = Split Spun Base Cover *Must indicate location

ANCHOR BASE AND BOLT DETAILS

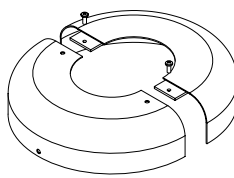
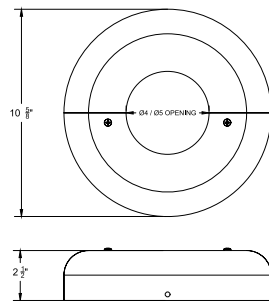
See chart for sizes



Pole Diameter	Bolt Circle	Bolt Projection	Bolt Size	Conduit Opening	Base Size
4"	7 1/2"	3/4"	3/4" x 25"	3 3/4"	9 1/4"
5"	7 1/2"	3/4"	3/4" x 25"	4 1/2"	9 1/4"

Actual anchor bolt size may differ slightly

SPLIT SPUN BASE COVER (SBC)



WIND LOADING AND DIMENSIONAL DATA:

MODEL NUMBER	MOUNT HEIGHT	LUMINARIES WEIGHT-LBS	TYPICAL WEIGHT AND ALLOWABLE SIZE OF LUMINARIES					DIMENSIONS OF STANDARDS		
			EFFECTIVE PROJECTED AREA-SQ FT-AT:					STANDARD HEIGHT	OUTSIDE DIAMETER	WALL
			70 MPH	80 MPH	90 MPH	100 MPH	110 MPH			
4-8/125	8'	75	15.1	11.2	8.6	6.8	5.5	8'	4"	.125
4-8/188	8'	75	28.9	21.8	17.0	13.7	11.3	8'	4"	.188
4-10/125	10'	75	11.2	8.2	6.1	4.7	3.8	10'	4"	.125
4-10/188	10'	150	21.8	16.3	12.6	10.1	8.2	10'	4"	.188
5-10/125	10'	150	18.3	13.6	10.6	8.5	6.9	10'	5"	.125
4-12/125	12'	75	8.4	6.0	4.3	3.2	2.6	12'	4"	.125
4-12/188	12'	75	17.2	12.7	9.7	7.7	6.3	12'	4"	.188
5-12/125	12'	150	14.1	10.3	8.0	6.3	5.1	12'	5"	.125
5-12/156	12'	150	17.9	13.2	10.3	8.2	6.7	12'	5"	.156
5-12/188	12'	150	21.7	16.2	12.6	10.1	8.2	12'	5"	.188
4-14/125	14'	150	6.1	4.1	2.8	1.9	1.5	14'	4"	.125
4-14/188	14'	150	13.4	9.7	7.3	5.8	4.6	14'	4"	.188
5-14/125	14'	150	10.9	7.8	6.0	4.7	3.8	14'	5"	.125
5-14/156	14'	150	14.2	10.3	8.0	6.3	5.1	14'	5"	.156
5-14/188	14'	150	17.4	12.8	9.9	7.9	6.4	14'	5"	.188
4-16/125	16'	150	4.4	2.8	1.6	1.0	0.7	16'	4"	.125
4-16/188	16'	150	10.7	7.5	5.5	4.3	3.4	16'	4"	.188
5-16/125	16'	150	8.5	5.9	4.4	3.4	2.7	16'	5"	.125
5-16/156	16'	150	11.3	8.0	6.1	4.8	3.8	16'	5"	.156
5-16/188	16'	150	14.0	10.1	7.8	6.1	4.9	16'	5"	.188
4-18/188	18'	150	8.5	5.7	4.0	3.1	2.4	18'	4"	.188
5-18/125	18'	150	3.5	4.3	3.1	2.4	1.8	18'	5"	.125
5-18/156	18'	150	8.9	6.1	4.6	3.5	2.8	18'	5"	.156
5-18/188	18'	150	11.3	8.0	6.8	4.7	3.8	18'	5"	.188
5-20/125	20'	150	4.9	3.0	2.1	1.5	1.1	20'	5"	.125
5-20/156	20'	150	7.2	4.7	3.4	2.6	2.0	20'	5"	.156
5-20/188	20'	150	9.4	6.4	4.8	3.6	2.8	20'	5"	.188

*EPA calculations allow for 1.3 Gust Factor. **Standard includes factory installed vibration dampener. Variations from standard sizes listed above, available upon inquiry at the factory.

Satisfactory performance of lighting standards is dependent upon the standard being properly attached to a supporting foundation of adequate design. FME does not design or offer recommendations for foundations.