

SLK SERIES

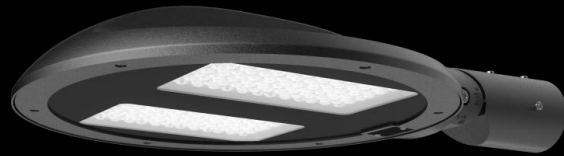
ADJUSTABLE TUNNEL OR STREET LIGHT
Cable/Wall or Pole mounting



- Smooth design, one size for 60w, 90w, 120w, 150w.
- High output lumen efficiency, up to 140lm/W.
- E- painting + Powder coating process.
- Built in Motion Sensor is optional
- IP66, 10KV SPD. Class I, Class II optional.
- Multiple installation way:Side entry, post top and Suspension.



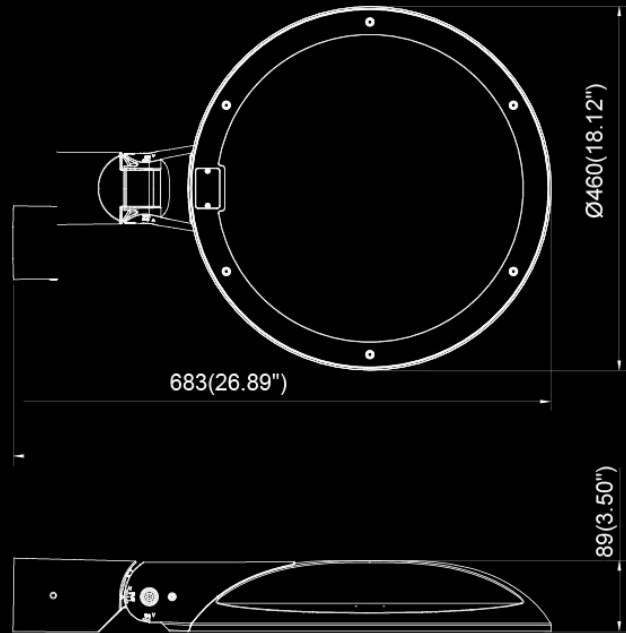
Super smooth and modern lines in a classic form, one size for 60w, 90w, 120w, 150w.



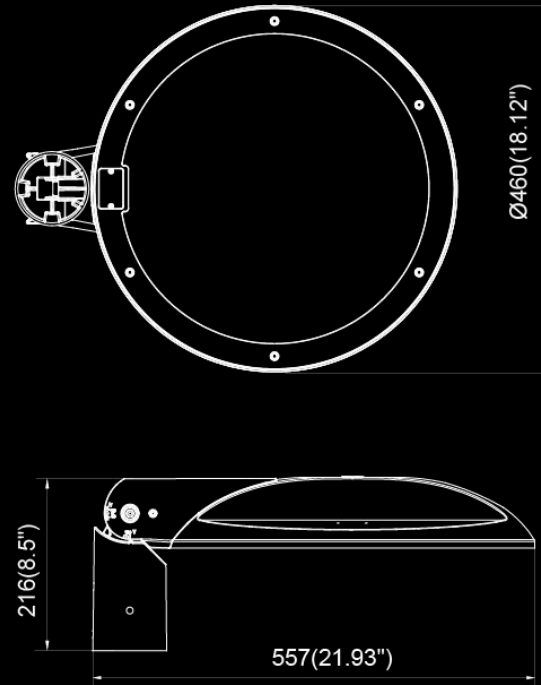
Post Top

Side Entry

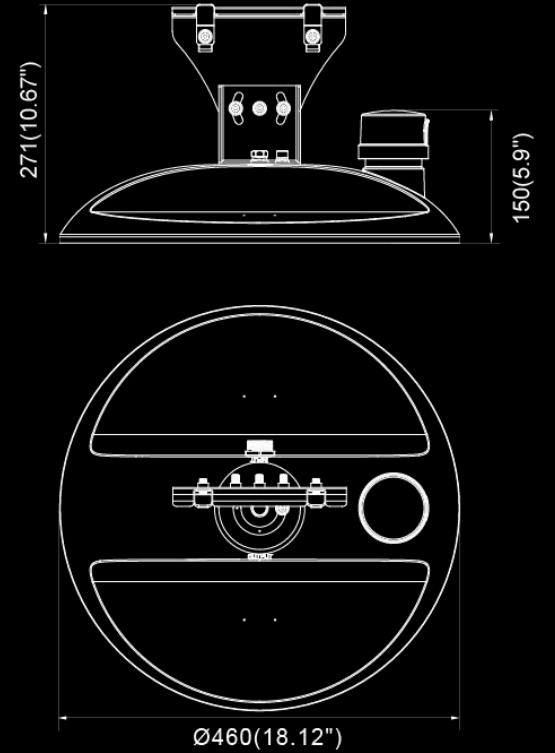
Suspention



Side entry installment



Post top installment



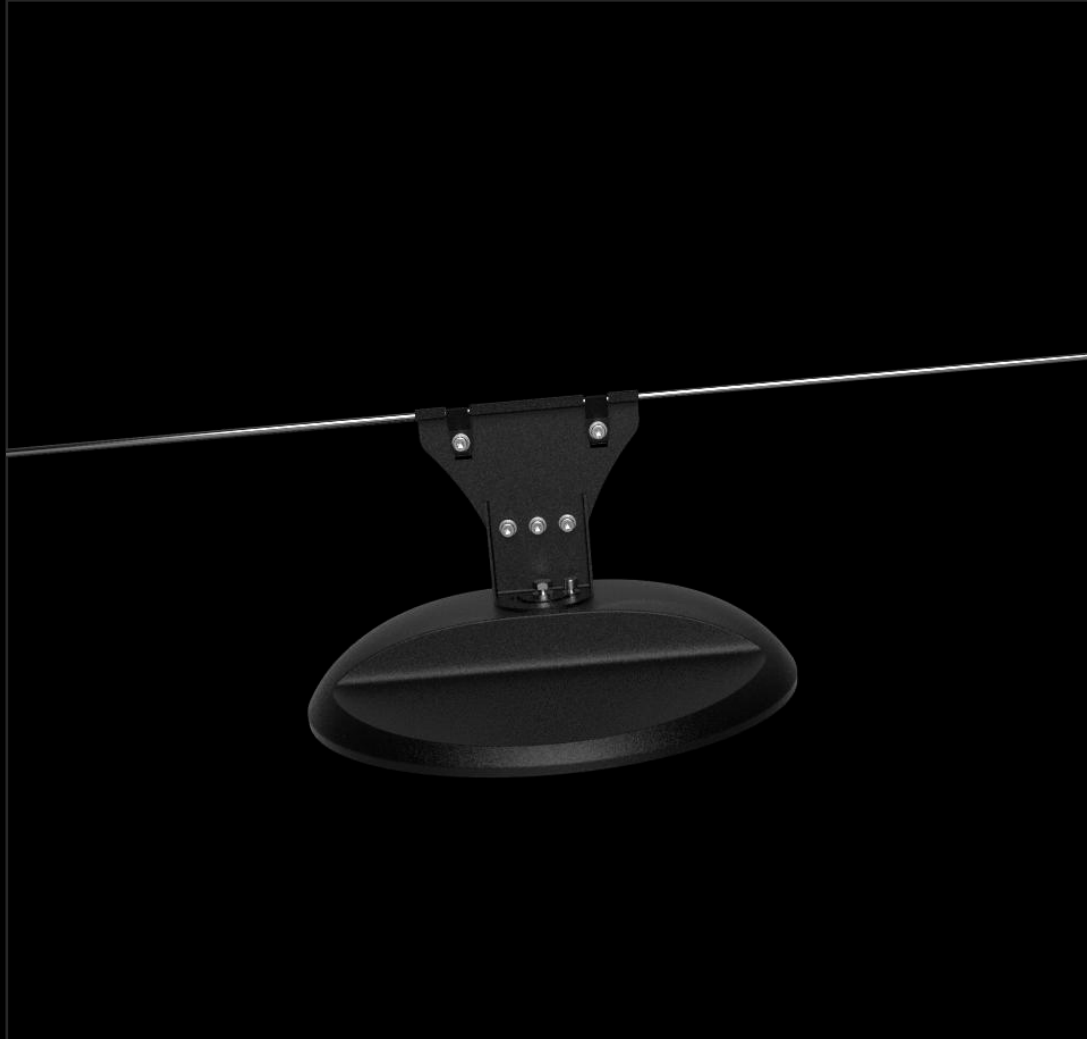
ADJUSTABLE
Suspension Mount

Product Specification

Model No.	SLK-060	SLK-090	SLK-120	SLK-150
Wattage	60W	90W	120W	150W
Color	Silvery Black			
Efficacy	140lm/W			
CCT/CRI	4000K (3000K, 5000K optional)			
Optical Lens	R01201, R01203, R01204, R01205, R01207, R01208			
Input Voltage	2120-277VAC OR 220-240VAC, 50/60Hz (PF ≥0.9)			
IP Rating	IP66, IK08			
IK Rating	IK08			
Chips	LUXEON 3030			
Driver	Tridonic LCA class II, Sosen class I			
Mounting Option	post top ($\phi 60/\phi 76$) ; side entry ($\phi 60/\phi 76$) ; Suspension Mount ($\phi 5-\phi 12\text{MM}$)			
Operating Temperature	-30° C to + 40° C			
Intelligent Control	Photocell, motion sensor, 0-10v dimmable			



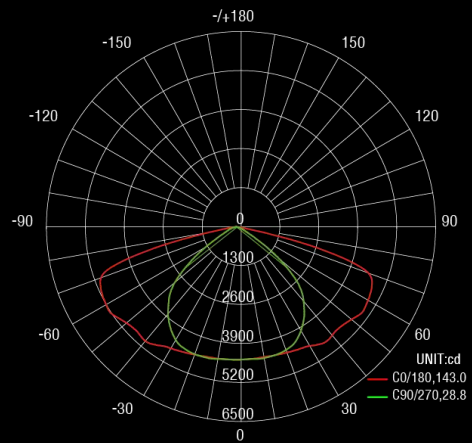
Protection



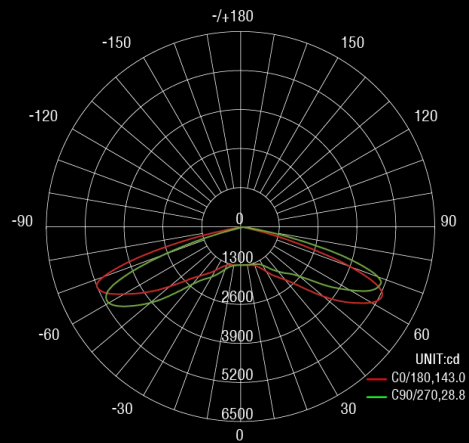
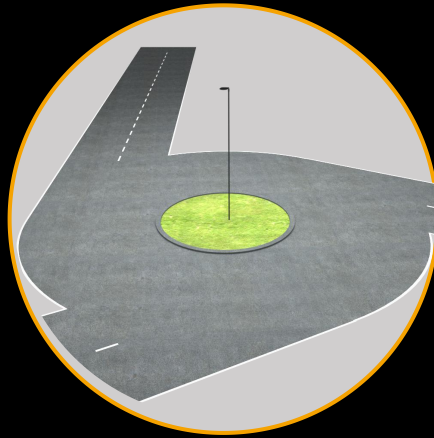
THE ADJUSTABLE FIXTURE CAN BE
LOCKED IN AND NOT MOVE
WHEN TILTED.

Light Distribution.

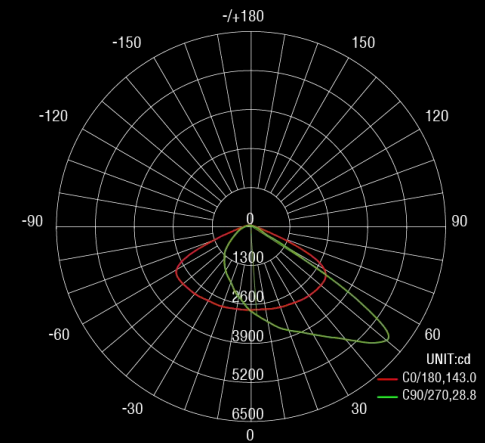
Six IES distribution options.



R01205
R01208



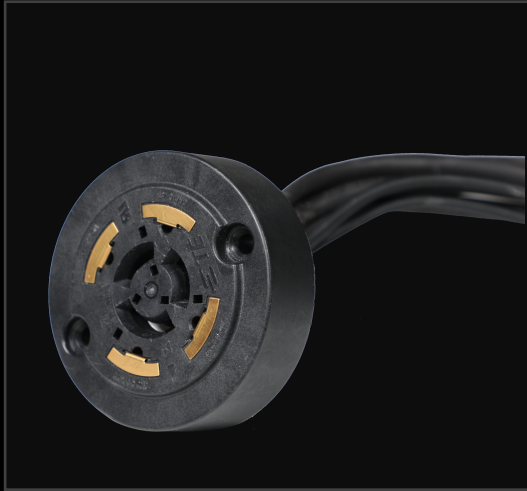
R01201



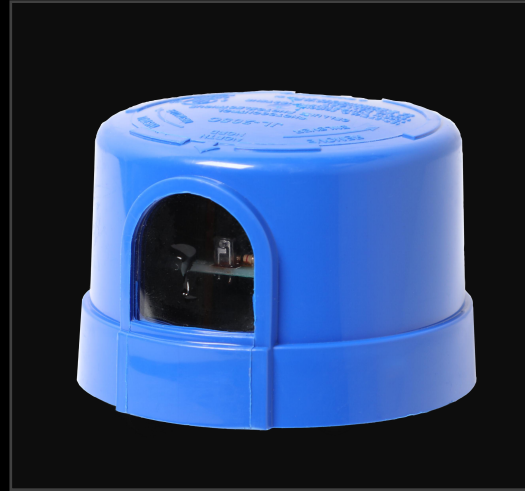
R01203
R01204
R01207

Intelligent control options

Ours SLK can be equipped with photocell, built-in motion sensor, Nema sockets.



3pin/5pin/7pin NEMA Socket



Photocell Controller



Shorting Cap

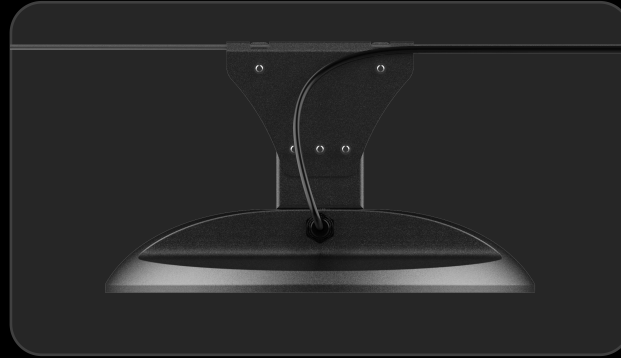


Built-in motion

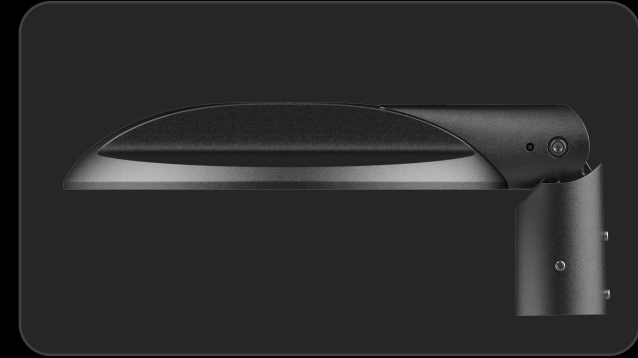
Multiple installation options to cover almost all applications.



Side Entry



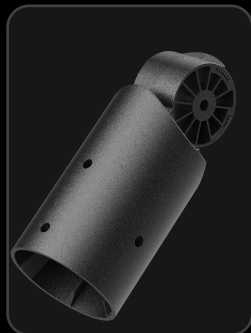
Suspension



Post Top

$\pm 15^\circ$ Adjustable spigot

$\pm 30^\circ$ Suspension Bracket



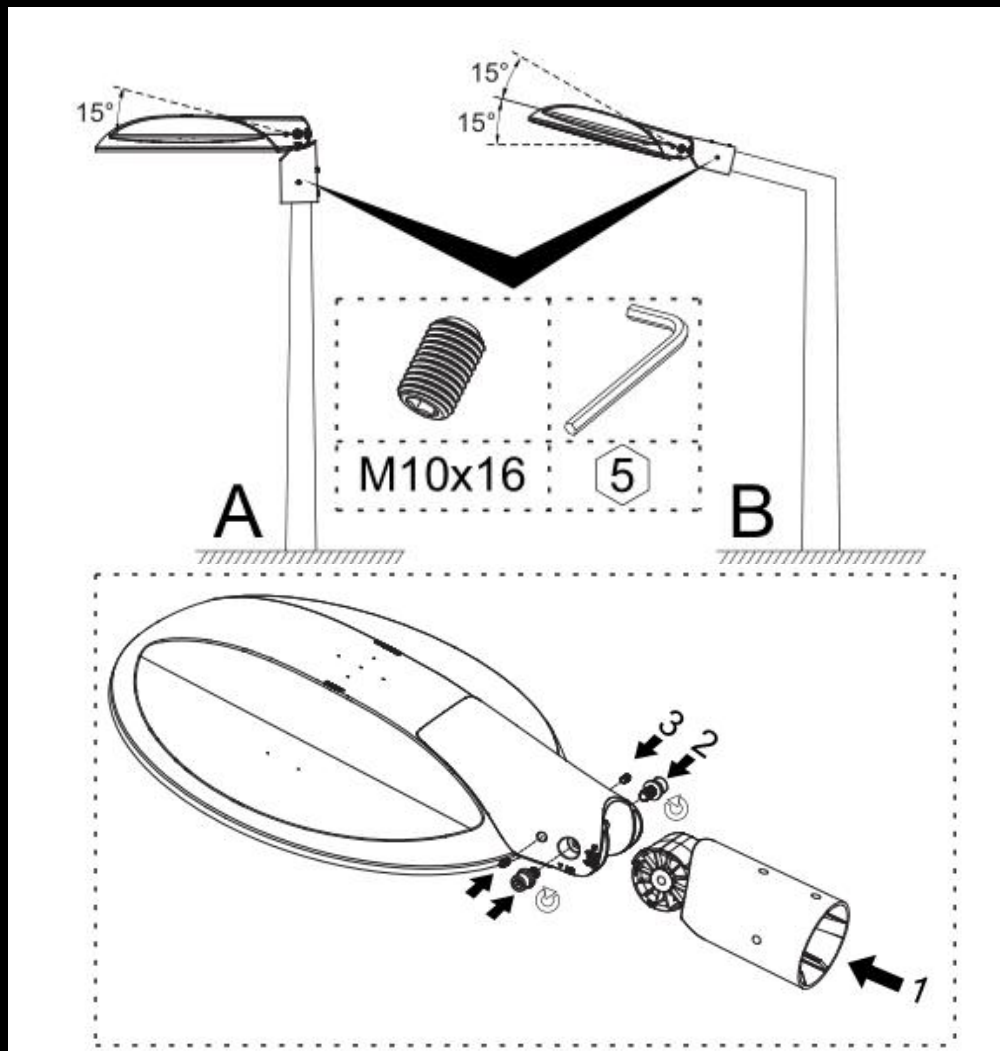
Ø60 mm spigot



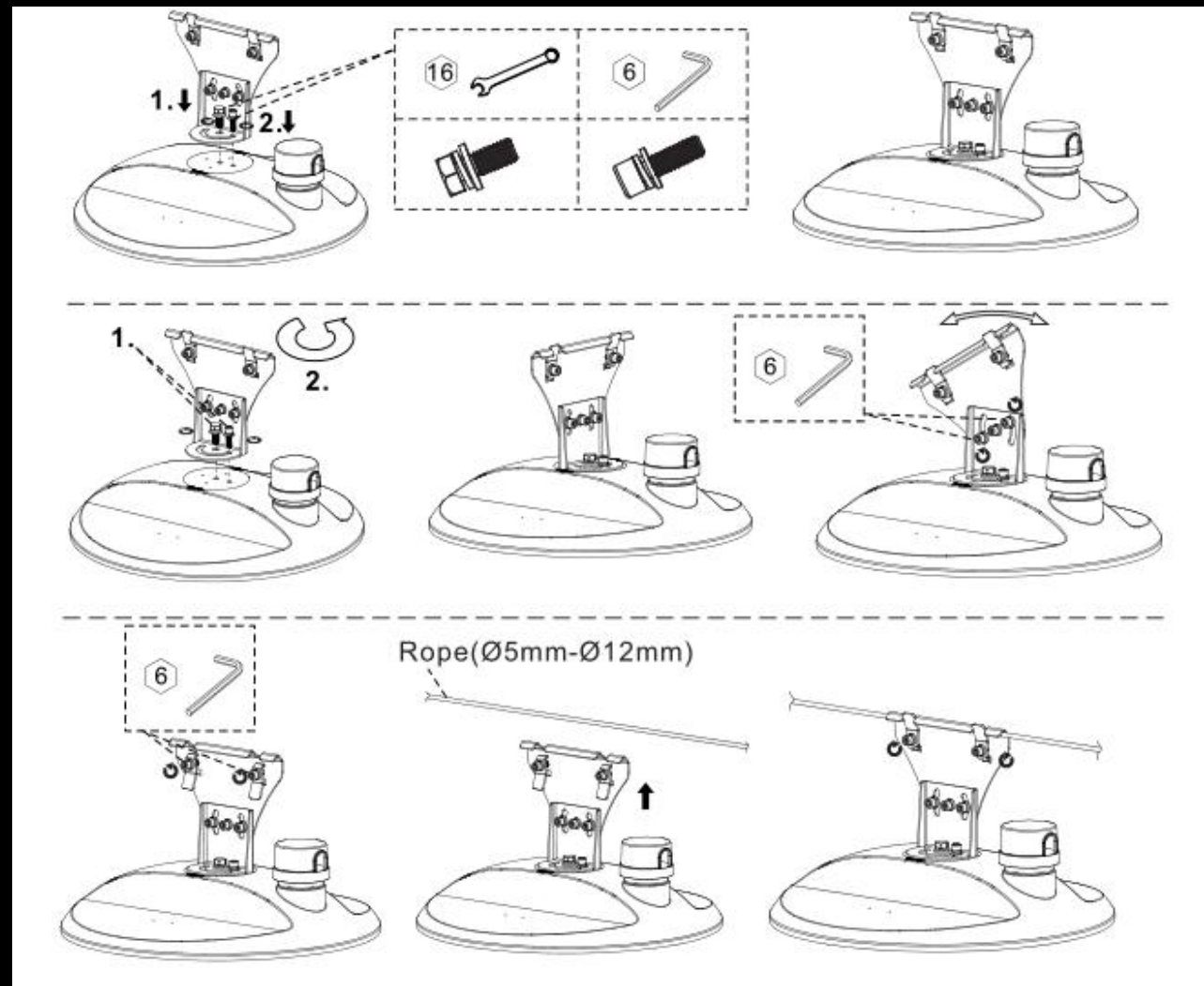
Ø76 mm spigot



Easy Installation

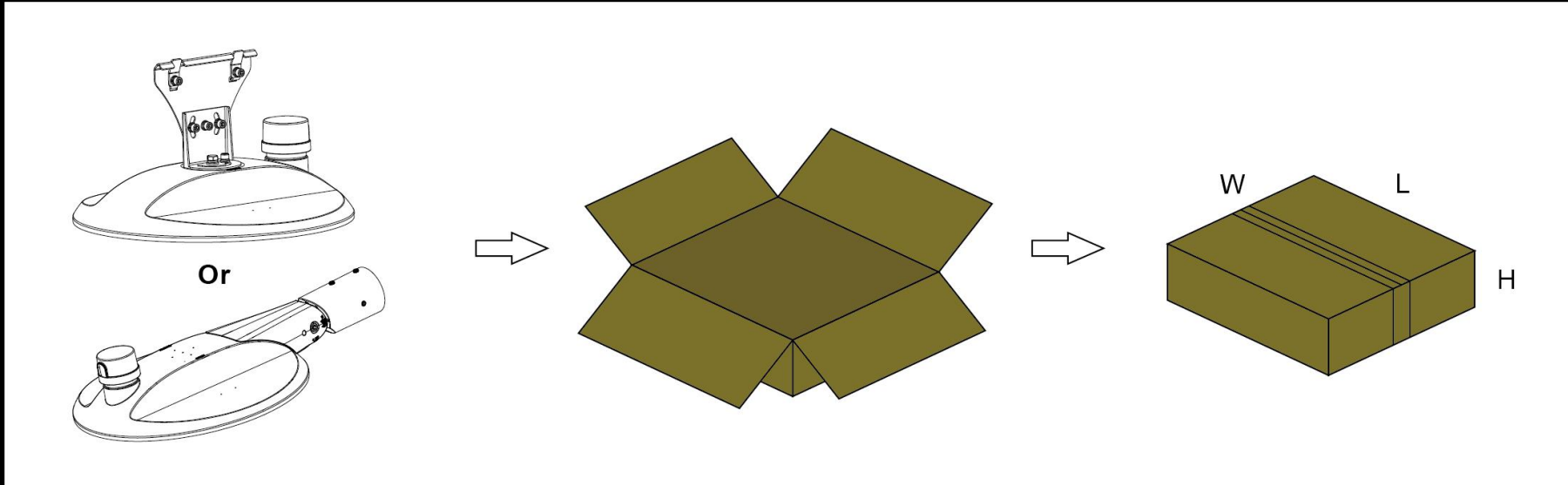


Pole Mounting



Suspention Mounting

Packging info



Model No.	pcs/CTN	pcs/20GP container(units)		pcs/40GP container(units)		pcs/40HC container(units)	
		without pallet	on pallet	without pallet	on pallet	without pallet	on pallet
SLK-060	1pcs	440pcs	220pcs	968pcs	440pcs	1144pcs	480pcs
SLK-090							
SLK-120							
SLK-150							