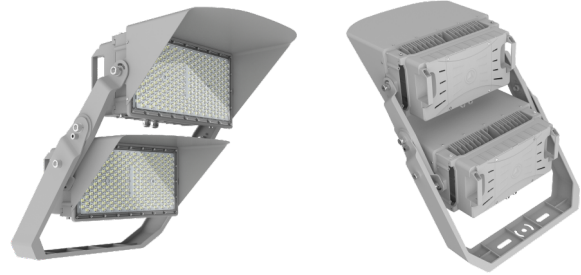
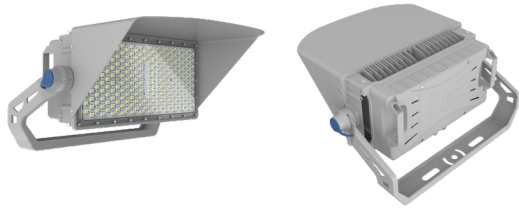
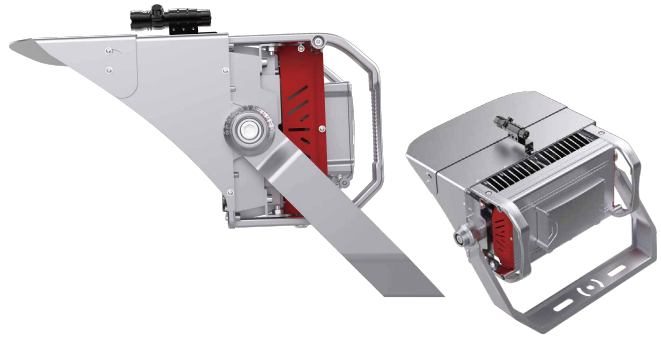


Project:	
Type:	
Catalog #:	



IP66



SINGLE : 300W, 400W, 500W, 600W, 650W

DOUBLE : 600W, 800W, 900W, 1000W, 1100W, 1200W, 1300W

PRODUCT FEATURES

- Wattage: 300-1300W
- Intelligent control: DALI-DMX512 RGB
- Optional Beam Angle: 15/30/45/60 Degree
- LED lamp bead3030 (30/45/60)
- LED lamp bead3737(15)
- Power Supply: Meanwell/SOSEN
- Input Voltage: 100-277/277-480VAC
- CCT (Color Temperature): 2700-6500K

APPLICATIONS

- Outdoor large sports arenas
- Exhibition halls
- Outdoor football fields
- Sports centers
- Stadiums
- Shipyards

PORTABLE DESIGN

The portable design increases the damping sense, which is more in line with modern aesthetics and the installation is more user-friendly.

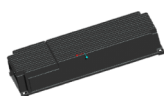
GALVANIZING + HIGH TEMPERATURE RESISTANT SPRAYING PROCESS

The mounting bracket is made of high-quality steel, and the surface treatment is anti-rust process: galvanized + sprayed with high temperature resistance outdoor powder.

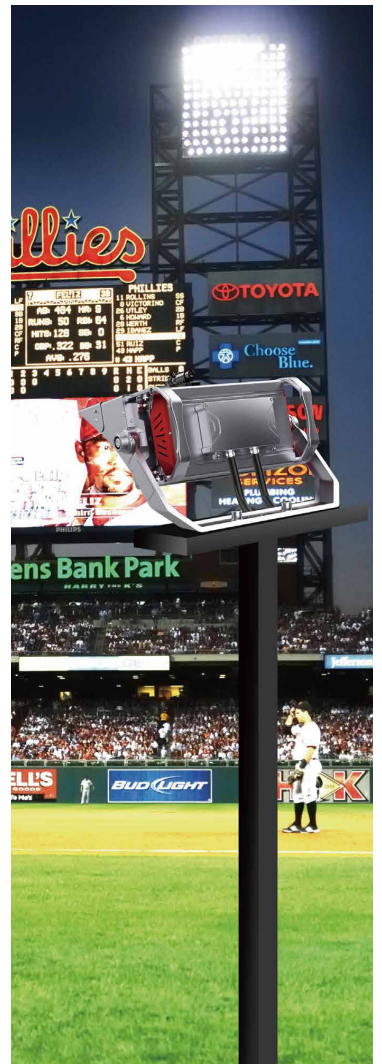
EXTERNAL POWER SUPPLY (optional)



for 300W/400W/500W/600W/
650W/700W/800W/900W/1000W



for 1100W/1200W/1300W



ORDERING INFORMATION

MODEL	WATTAGE	CCT	CRI	OPTIONS	BEAM ANGLE	VOLTAGE
ASL	S30 300W	3 3000K	7 Ra70 (standard)	D Dimmable N Non-dimmable	15 15°	LV 120-277V HV 347-480V
	S40 400W	4 4000K			20 20°	
	S50 500W	5 5000K			30 30°	
	S60 600W	6 6000K	8 Ra80	40 40°		
	S65 650W	65 6500K		60 60°		
	D60 600W	R RGB		120 120°		
	D70 700W					
	D80 800W					
	D90 900W					
	D100 1000W					
	D110 1100W					
	D120 1200W					
	D130 1300W					

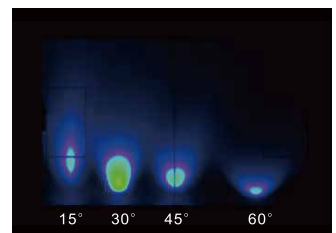
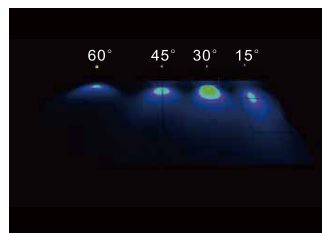
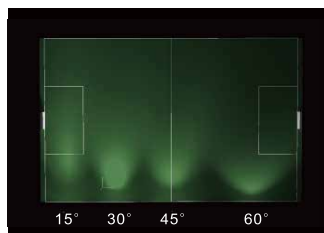
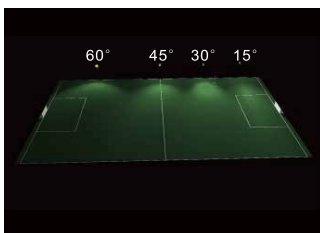
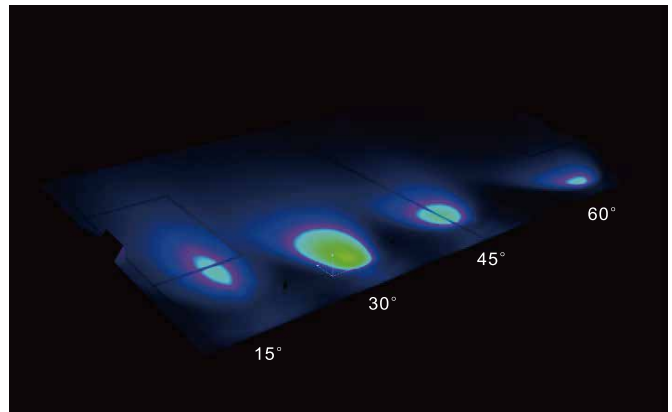
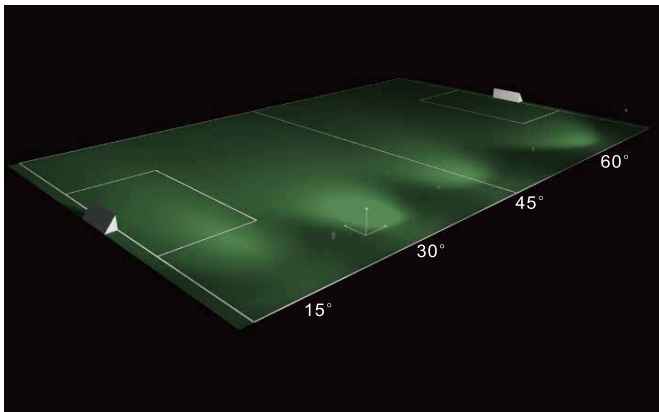
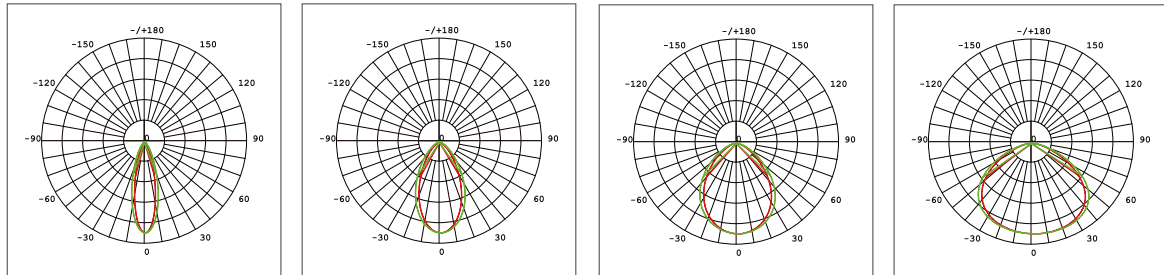
WATTAGE NOTE:
Refer to product photos on pg 1
S = Single
D = Double

PHOTOMETRIC DIAGRAMS

Optional(15°/30°/45°/60°)

UNIT:CD

— C0/180 — C9/270 50% Imax





HOOD CUT

For better control of the lighting area, it has a hood cut-off function, which can be rotated from 0° to 35°.



INFINITE ANGLE ADJUSTMENT

The product is more suitable for the needs of on-site installation angle.



EASY EXTERNAL WIRING

Simple wiring, convenient operation, saving installation time.



LASER AIMING DEVICES (OPTIONAL)

The Laser Aiming Device gives you precision control in angling and aiming each sport light to its exact optimal position.



INTEGRATED STRUCTURE

Integrated casting. The lamps are beautiful in appearance and strong in safety.

INCREASING SIDE HEAT DISSIPATION

The long side holes increase the air convection of the power supply and effectively avoid the power supply temperature from being too high.



400W/500W

SPECIFICATIONS

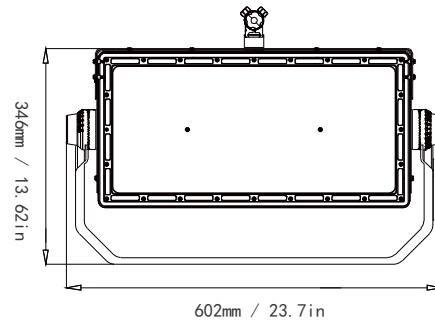
Optical Data

Wattage	400/500W
Led Type	LED3030/3737
Efficiency	94%
Luminous Flux	56,000/70,000LM
CCT	2700-6500K
Beam Angle	15/30/45/60
CRI	70/80
System Efficiency	90%



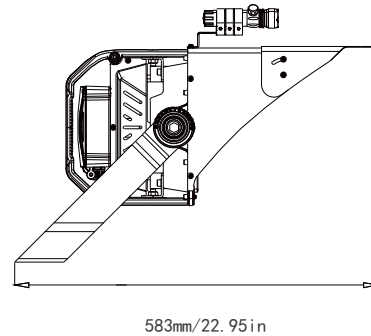
Electrical Data

Lumen Version	
PowerSupply	Meanwell / SOSEN
Input Voltage	100-277VAC/277-480VAC
Power Frequency Power	50/60Hz
Efficiency	94%
Power Factor	0.95
Total Harmonic Distortion	<15%



Others

IP Rating	IP66
Lifetime(L70 Standard)	50000H
Heat Radiator	Die-cast Aluminum
Lens Material	Anti-UV PC Optical Material
Carton Dimensions Gross	686*369*426mm
Weight	23Kg
Gross Weight	20Kg



800W/1000W

SPECIFICATIONS

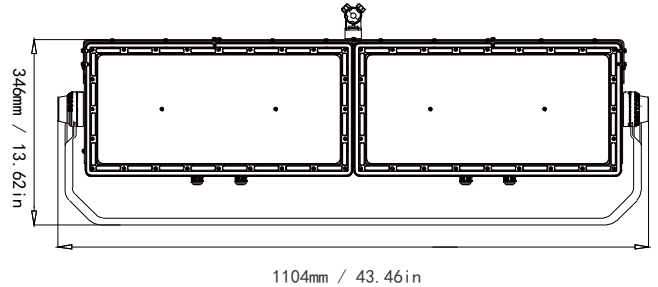
Optical Data

Wattage	800/1000W
Led Type LED	LED3030/3737
Efficiency	94%
Luminous Flux	112,000/140,000LM
CCT	2700-6500K
Beam Angle	15/30/45/60
CRI	70/80
System Efficiency	90%



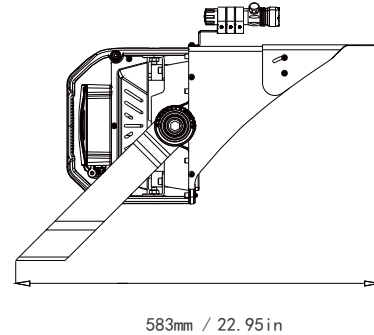
Electrical Data

Lumen Version	
PowerSupply	Meanwell / SOSEN
Input Voltage	100-277VAC/277-480VAC
Power Frequency Power	50/60Hz
Efficiency	94%
Power Factor	0.95
Total Harmonic Distortion	<15%



Others

IP Rating	IP66
Lifetime(L70 Standard)	50000H
Heat Radiator	Die-cast Aluminum
Lens Material	Anti-UV PC Optical Material
Carton Dimensions Gross	1180*369*439mm
Weight	46Kg
Nross Weight	40Kg



800W/1000W

SPECIFICATIONS

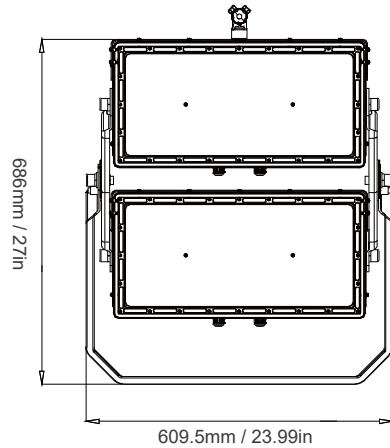
Optical Data



Wattage	800/1000W
Led Type LED	LED3030/3737
Efficiency	94%
Luminous Flux	112,000/140,000LM
CCT	2700-6500K
Beam Angle	15/30/45/60
CRI	70/80
System Efficiency	90%

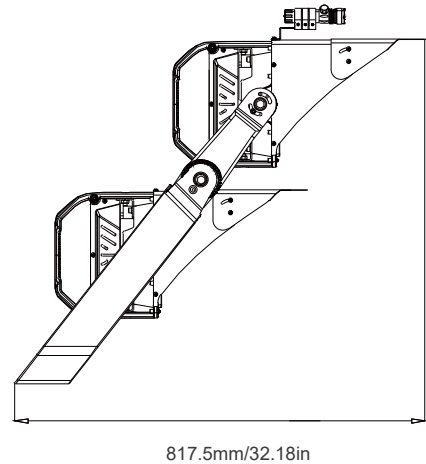
Electrical Data

Lumen Version	
PowerSupply	Meanwell / SOSEN
Input Voltage	100-277VAC/277-480VAC
Power Frequency Power	50/60Hz
Efficiency	94%
Power Factor	0.95
Total Harmonic Distortion	<15%



Others

IP Rating	IP66
Lifetime(L70 Standard)	50000H
Heat Radiator	Die-cast Aluminum
Lens Material	Anti-UV PC Optical Material
Carton Dimensions Gross	644*686*803mm
Weight	46Kg
Nross Weight	40Kg



1200W/1300W

SPECIFICATIONS

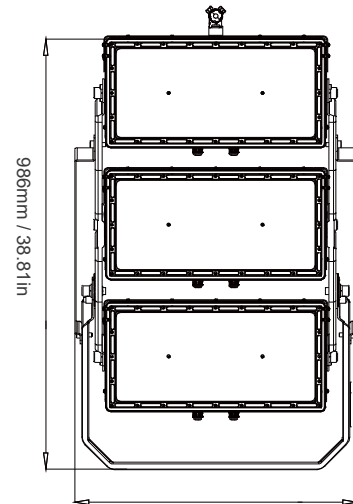
Optical Data

Wattage	1200/1300W
Led Type	LED3030/3737
Efficiency	94%
Luminous Flux	168,000/182,000LM
CCT	2700-6500K
Beam Angle	15/30/45/60
CRI	70/80
System Efficiency	90%



Electrical Data

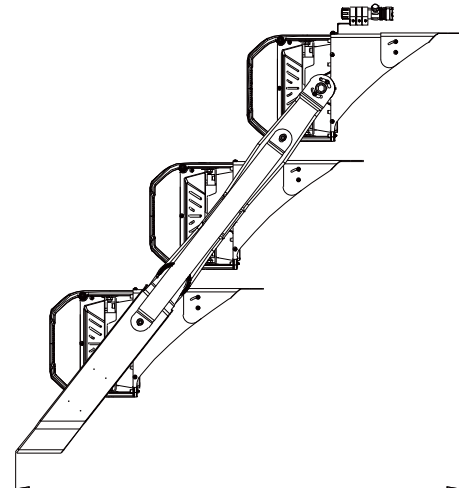
Lumen Version	
PowerSupply	Meanwell / SOSEN
Input Voltage	100-277VAC/277-480VAC
Power Frequency Power	50/60Hz
Efficiency	94%
Power Factor	0.95
Total Harmonic Distortion	<15%



641.5mm / 25.25in

Others

IP Rating	IP66
Lifetime(L70 Standard)	50000H
Heat Radiator	Die-cast Aluminum
Lens Material	Anti-UV PC Optical Material
Carton Dimensions Gross	885*687*1111mm
Weight	64Kg
Nross Weight	60Kg



1044mm / 41.1in