

QSM SERIES

COLD STORAGE | NSF LINEAR HIGHBAY



Project:	
Type:	
Catalog #:	

L70
25°C
141,500 Hours



The QSM is designed for the harsh environments found in food processing, heavy manufacturing, cold storage, warehouse, and distribution facilities. The IP66 waterproof rated fixture can operate in extreme temperature ranges. This fixture is ideal for new construction or as an upgrade on existing linear fluorescent and HID high-bay fixtures

FOOD & BEVERAGE
PROCESSING

MANUFACTURING
& DISTRIBUTION

LIVESTOCK
FARMING

Emergency Battery Backup

Option for QSM fixtures:

- Minimum 90-Minute Duration
- 16W 2400 Lumen
- Temperature Range from 50°F to 122°F (10°C to 50°C)

PERFORMANCE

Lumen Output 15,000-60,000 lumens

Lifespan L70 > 141,500 Hours

Ambient Temperature -40°F to 131°F (-40°C to 55°C)

Warranty 5 Years

Efficacy >145 LPW Up

Power Washing to 1600 PSI

ELECTRICAL

Operating Voltage 120-480V

Input Frequency 50/60Hz

Input Wattage 100-400W

Surge Protection 10kV + 10kA standard (20kA optional)

Dimming 0-10V

Power Input Standard 6' Yellow Cable (5-conductor wire to pigtails)

CONSTRUCTION

IP Rating IP66

IK Rating IK10

Weight 8.6 - 22.5lbs (3.9-10.2kg)

Dimensions 2ft - 12"W x 27"L / 4ft - 12"W x 52"L

Housing Die Casted Aluminum Alloy

Finish Common Epoxy Resin Powder Coat

Lens Polycarbonate

OPTICAL

CRI ≥80 (90 Optional)

CCT 4000K, 5000K

Beam Angle 45° + 90° - AL, 90° - MD, 120° - WD

Ambient Temperature Ratings

Performance Package	Fixture	with MS	with EM
ST	-20°C to 55°C	-20°C to 55°C	10°C to 50°C
PR	-40°C to 55°C	-40°C to 55°C	10°C to 50°C

QSM Emergency Backup Information (5000K, CRI)

FX Order Code	EM Manufacturer	EM Driver Part	EM Battery Part	Field Installable	Lumen Output
EM	Fulham	FHS2-UNV-36L	FHSBATL6-1.5	No	2560LM

Order Information

Model	Lumen Pkg	Distribution	Voltage	Internal Surge Protector	Control Option	CCT	CRI	Mounting	Finish	
QSM Linear High Bay	ST (Standard)	PR (Premium)	AL=Aisle (45+90°) MD=Medium (90°) WD=Wide (120°)	LV=120-277v HV=277-480v	Leave Blank= Standard 10kV S1=10kA SP 120-277V S2=20kA SP 120-277V S3=20kA SP 277-480V	Leave Blank= No Controls C1=Cold Storage/Wet Location Occupancy Sensor	4K=4000K 5K=5000K	80=80 CRI 90=90 CRI	CH=Chain Mount SB=Surface Bracket PB=Pendant Bracket A10=10' Aircraft A16=16' Aircraft	G=Gray W=White
	ST15=15,000 ST23=22,500 ST30=30,000 ST38=37,500 ST45=45,000 ST60=60,000	PR19=18,600 PR24=23,250 PR31=31,000 PR39=38,750 PR47=46,500 PR62=62,000								

FME Lighting | 877-234-8460 | info@fmelighting.com

Specifications and dimensions subject to change without notice.

Options & Accessories

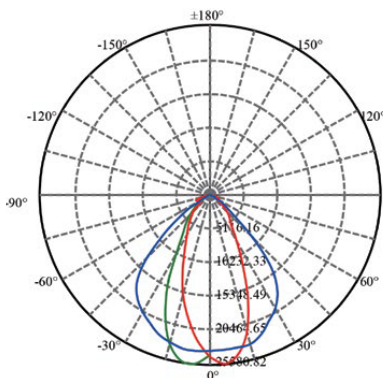
Options		Plugs		Cordsets (Order Separately)	
Options	Description	Plugs	Description	Order Code	Description
EM	Emergency Battery Backup *see restrictions*	P3	3pin Mini Connector Male Plug	MIN-3FP-6	3 Conductor Female 6' Cable to Pigtails
YX	5 conductor yellow wire that is X feet long	P5	5pin Mini Connector Male Plug	MIN-5FP-6	5 conductor Female 6' Cable to pigtails
WX	5 conductor white wire that is X feet long	5P	120v Plug Δ	MIN-3MFP-6	3 conductor Female 6' Cable to Male
UP	Uplight (120deg upright angle)	L6P	Locking 208/240v Plug Δ	MIN-5MFP-6	5 Conductor Female 6' Cable to Male
M3	Bulkhead mini receptacle, 3 wire, Male	L7P	Locking 277v Plug Δ	Δ OPTION VALUE Ordering Restrictions EM Backup is not supported by HV fixtures EM Backup temperature range 10-50°C (50-122°F) C1 Option renders fixture as IP65 ST15L and ST23L only rated -20-55°C ST15L and ST23L come with standard 2.5kV surge protection Plug Options 5P, L6P, L7P are not IP rated Cordset options are only suitable for M3/M5 bulkhead options C1 only supports 120-347V Uplight option features 1 LED light bar (120° lens) facing upwards Surface/Pendant Brackets only come with hardware to attach bracket to fixture	
M5	Bulkhead mini receptacle, 5 wire, Male	W5P	Watertite 120v Plug		
		W6P	Watertite Locking 208/240v Plug		
		W7P	Watertite Locking 277v Plug		

QSM Characteristics

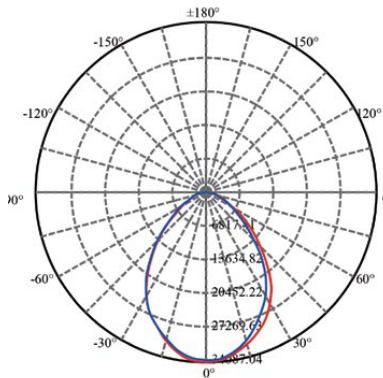
Lumen Package	Wattage				Amp Draw				Length	Width	Depth	Weight		Comparable Light Source
	120V	277V	347V	480V	120V	277V	347V	480V				lbs	kg	
15L (ST)	106	104	102	102	0.89	0.4	0.3	0.22	26.71"	12.20"	2.33"	8.60	3.9	4-Lamp T8HL, 175W HID
19L (PR)	122	118	124	123	1.03	0.45	0.37	0.27	26.71"	12.20"	2.33"	8.60	3.9	4-Lamp T5HO, 6-Lamp T8HL, 250W HID
23L (ST)	159	155	150	150	1.34	0.59	0.44	0.32	26.71"	12.20"	2.33"	9.45	4.29	8-Lamp T8HL, 320W HID
24L (PR)	152	147	149	149	1.28	0.56	0.44	0.32	26.71"	12.20"	2.33"	9.45	4.29	8-Lamp T8HL, 320W HID
30L (ST)	212	207	197	196	1.78	0.79	0.58	0.42	26.71"	12.20"	2.33"	11.15	5.06	10-Lamp T8HL, 6-Lamp T5HO, 400W HID
31L (PR)	193	191	190	189	1.62	0.73	0.56	0.41	51.89"	12.20"	2.33"	18.55	8.41	10-Lamp T8HL, 6-Lamp T5HO, 400W HID
38L (ST)	261	255	256	254	2.20	0.97	0.76	0.55	51.89"	12.20"	2.33"	18.55	8.41	350W XHO HID, 360W HID
39L (PR)	254	251	251	250	2.14	0.95	0.74	0.54	51.89"	12.20"	2.33"	18.55	8.41	350W XHO HID, 360W HID
45L (ST)	318	311	299	299	2.68	1.18	0.88	0.65	51.89"	12.20"	2.33"	18.55	8.41	10-Lamp T5HO, 400W HO HID
47L (PR)	303	293	298	298	2.55	1.11	0.88	0.64	51.89"	12.20"	2.33"	18.55	8.41	10-Lamp T5HO, 400W HO HID
60L (ST)	424	415	394	392	3.57	1.58	1.16	0.85	51.89"	12.20"	2.33"	22.50	10.21	750W HID
62L (PR)	387	383	381	378	3.26	1.46	1.13	0.82	51.89"	12.20"	2.33"	22.50	10.21	750W HID

(ST) = Standard | (PR) = Premium

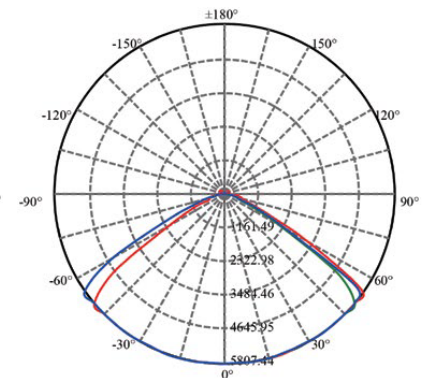
QSM AL Light Distribution



QSM MD Light Distribution



QSM WD Light Distribution



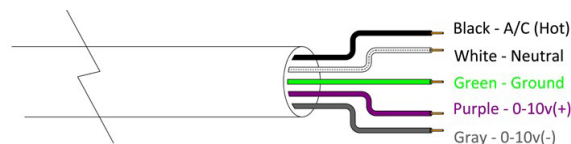
Surge Protection Device Information

Order Code	S1	S2	S3
Model	SP1	PU-20KS10KHT	DS-PS-20KS10KHT
Manufacturer	Philips	Inventronics	Inventronics
Operating Voltage	120-277V	120-277V	277-480V
Input Frequency	50/60Hz	50/60Hz	50/60Hz
Maximum Discharge Current (Imax)	10kA, 8/20µs	20kA, 8/20µs	20kA, 8/20µs
Nominal Discharge Current (In)		10kA, 8/20µs	10kA, 8/20µs
Open Circuit Voltage		20kV	20kV
Measured Limiting Voltage (L-N)		2600V	3000V
Measured Limiting Voltage (L-G, N-G)		2000V	3000V
Net Weight		50g	60g
Operating Temperature		-40°C to 85°C	-40°C to 85°C
Dimensions		0.6"x1.1"x11.8"	0.7"x1.1"x11.8"
Number of Surges			
20 kA		1	1
10 kA		15	15
4 kA		100	100
2 kA		500	500
1 kA		1,000	1,000

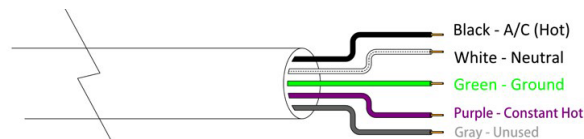
Motion Sensor

OSFHW-CTW Operating Specifications	
IP Rating	IP65
Input Voltage	120-277-347V
Operational Frequencies	50/60Hz
Load Rating	800VA @ 120V Ballast 1200VA @ 277V Ballast 1500VA @ 347V Ballast
Standby Power Consumption	120V - 130mW - .13W 277V - 450mW - .45W 347V - 460mW - .46W
Time Delay	30sec - 30min
Wire Designation	Line - Black, Load - Red, Neutral - White
Operating Temperature Range	-40 to 160°F (-40 to 71°C)
Storage Temperature Range	-14 to 160°F (-25 to 71°C)
Relative Humidity	20-90% non-condensing
Lens Options (included)	360° High-bay 360° Low-bay Aisle Lens Mask

Wiring Diagram



Emergency Wiring Diagram

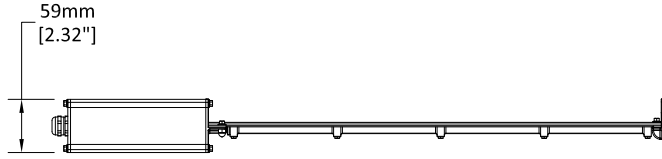


Packaging Dimensions

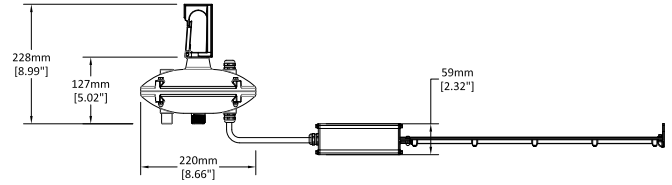
	2ft		4ft	
	Box	Pallet	Box	Pallet
Qty - Fixtures	1	80	1	50
Box	30"L x 14"W x 3"H	48"L x 40"W x 72"H	54"L x 14"W x 3"H	58"L x 40"W x 65"H
Weight	12lbs	975lbs	23lbs	1165lbs

2FT Dimensional Data

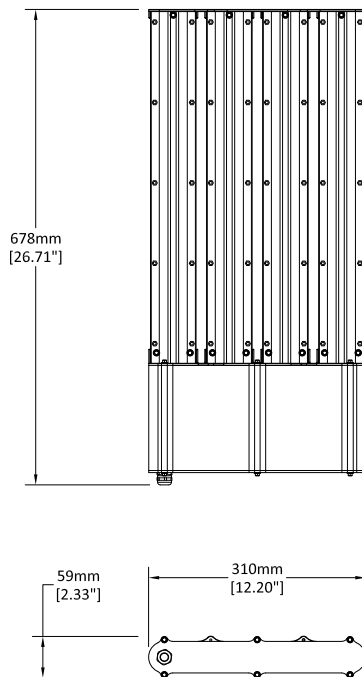
QSM 2ft



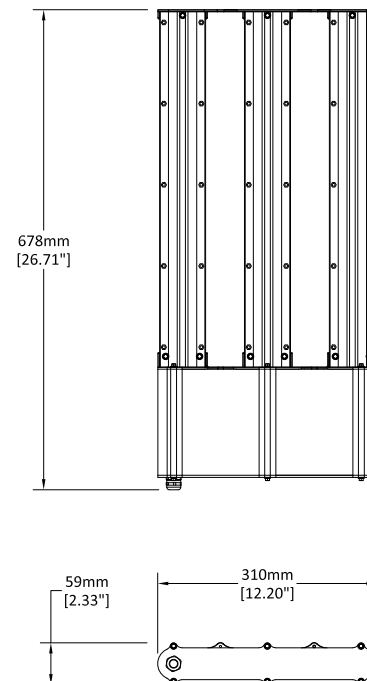
QSM 2ft with EM Backup



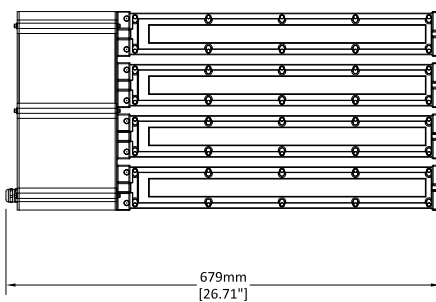
QSM 2ft 4s



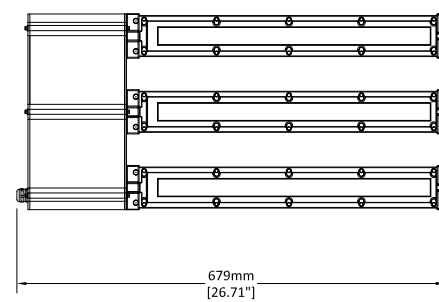
QSM 2ft 3s top view



QSM 2ft 4s bottom view

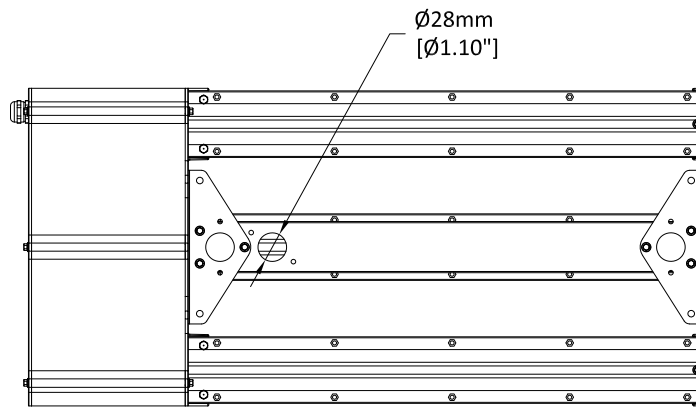
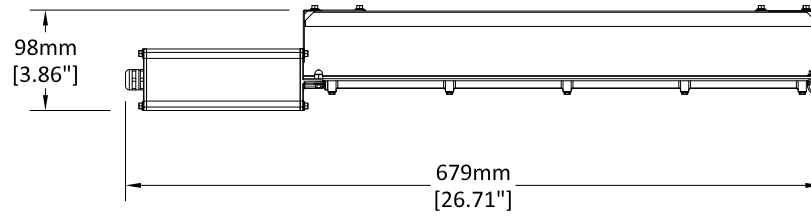


QSM 2ft 3s bottom view

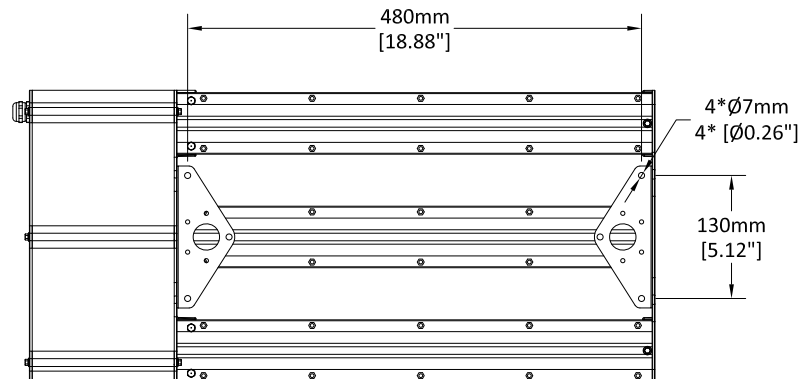
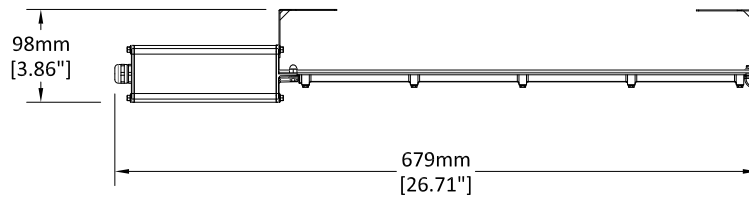


2FT Dimensional Data

QSM 2ft with Pendant Bracket

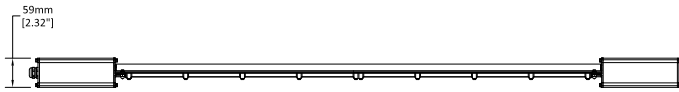


QSM 2ft with Surface Bracket

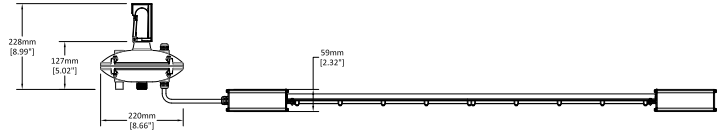


4FT Dimensional Data

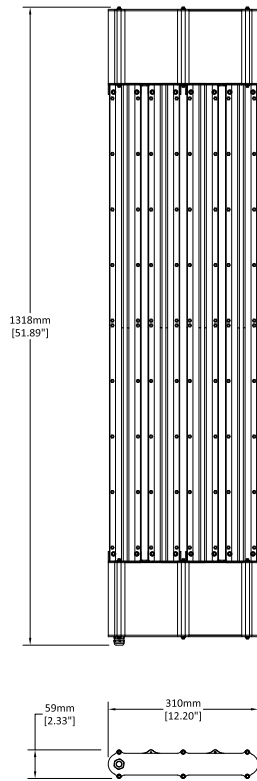
QSM 4ft



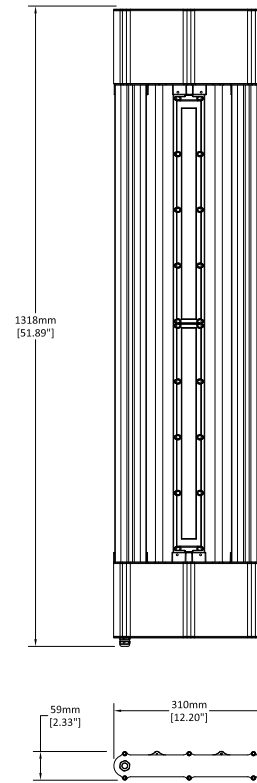
QSM 4ft with EM Backup



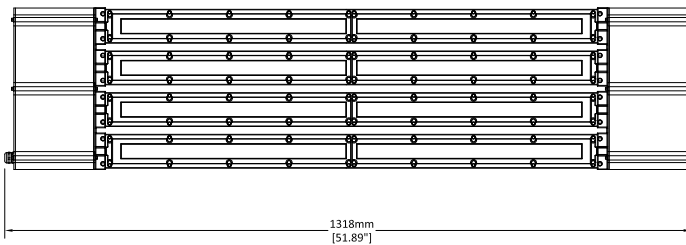
QSM 4ft 4s



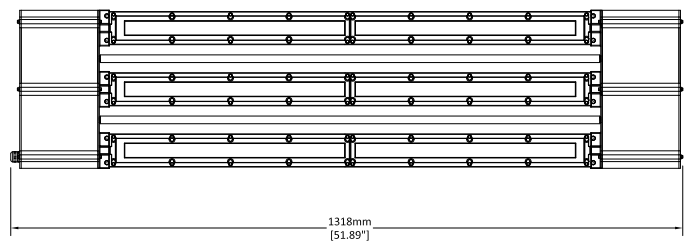
QSM 4ft 3s top view



QSM 4ft 4s bottom view

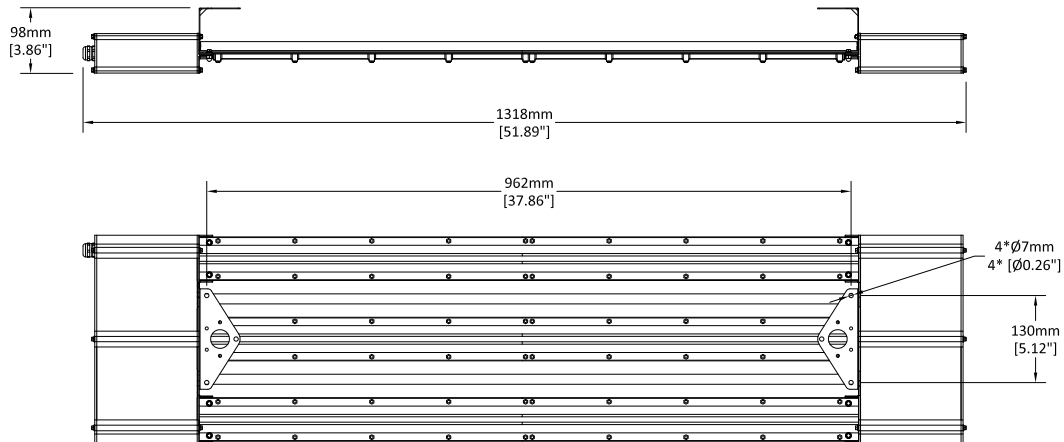


QSM 4ft 3s bottom view



4FT Dimensional Data

QSM 4ft with Surface Bracket



QSM 4ft with Pendant Bracket

