

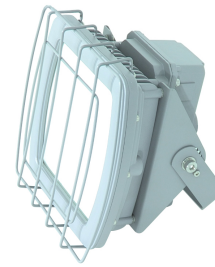
Project:	
Type:	
Catalog #:	

IP66 NEMA 4X

WIRE GUARD



CEILING/WALL MOUNT
SMALL SIZE ONLY 8X8"



U-BRACKET STANDARD



PENDANT MOUNT



IP66 NEMA 4X

SPECIFICATIONS

Listings and Certifications:

- ATEX ICECEX UL844 (CID2)
- PSE, SAA, C-TICK, CE, RoHs, DLC, IP66, IK09, UL1598A for marine
- Suitable for wet locations
- Operating temperature: -40°C to +55°C (-40°F-to 131°F)

LEDs:

Long-life, high-efficiency, micro-power, sur-face mount LEDs

Drivers(s):

Class 2, 50/60Hz. 100 - 277V, 4kV standard, 6kV optional surge protection

Lifespan:

100,000+hour LED lifespan based on IES LM-80 results & TM-21 calculations at 25°C

IP Rating:

Ingress Protection rating of NEMA 4/4X (IP66) for dust and water

Powder Coated Epoxy Housing

Mounting:

U-Bracket/Pendant Standard (Slipfitter, Stanchion, Wall, Ceiling Optional)

Lens:

High transmittance explosion-proof glass

Effective Projected Area:

EPA = 0.61

Vibration Rating:

3G vibration tested per ANSI C136.31V

Premium Cast Aluminum Housing: ADC12

Dimming Driver:

Driver includes dimming control wiring for 1-10V dimming systems. Requires separate 1-10V DC dimming circuit. Dims as low as 10%. (Optional dimming and non-dimming)

- Available from 20W (2,000lm) - 200W (24,000lm)
- Offered with 3 mounting options: U-bracket, wall mount, slipfitter mount
- Type II, III, IV, V and Forward Throw distributions

CCT:

Available in 2700K-6500K color temperature

CRI:

CRI ≥70

Beam Angle:

Standard distribution is NEMA floodlight (Type2-6) Wide Flood

Color Stability:

LED color temperature is warranted to shift no more than 200K in CCT over a 5-year period

Color Uniformity:

JUPITER's range of CCT (Correlated Color Temperature) follows the guidelines of the American National Standard for Specifications for the Chromaticity of Solid State Lighting (SSL) Products, ANSI C78.377-2017.

Finish:

Formulated for high durability and long-lasting color

Green Technology:

Mercury and UV free. RoHS-compliant components

IESNA LM-79 Testing:

Tested by an independent laboratory in accordance with IESNA LM-79.



Extended pendant pole



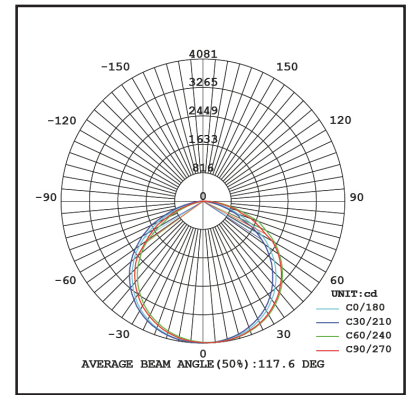
45 Degree Wall Mount



Ceiling/Wall mount

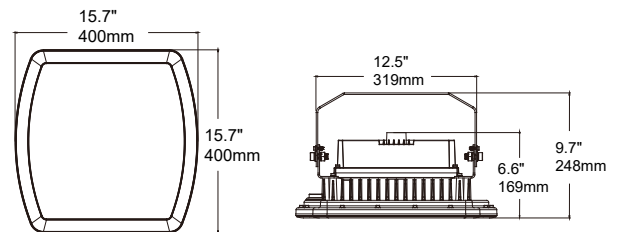


90 Degree Wall mount



PRODUCT DIMENSIONS

Series models	Size(L×W×H)
JUP-2	200×200×147mm(7.8×7.8×5.7)"
JUP-3	200× 200×147mm(7.8×7.8×5.7)"
JUP-4	200×200×147mm(7.8×7.8×5.7)"
JUP-6	300×300×165mm(11.8×11.8×6.4)"
JUP-8	300×300×165mm(11.8×11.8×6.4)"
JUP-10	300×300×165mm(11.8×11.8×6.4)"
JUP-12	400×400×169mm(15.7×15.7×6.6)"
JUP-15	400×400×169mm(15.7×15.7×6.6)"
JUP-18	400×400×169mm(15.7×15.7×6.6)"
JUP-20	400×400×169mm(15.7×15.7×6.6)"



JUP-120~200W

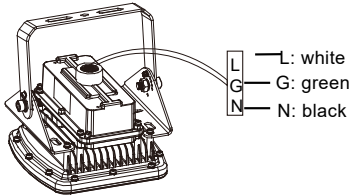
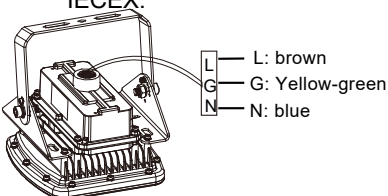
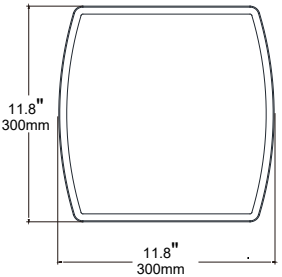
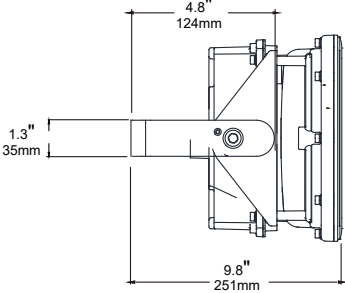
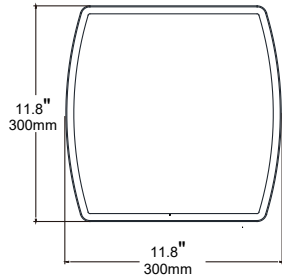
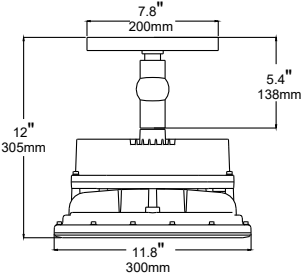
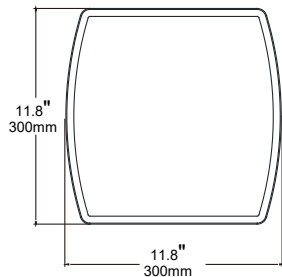
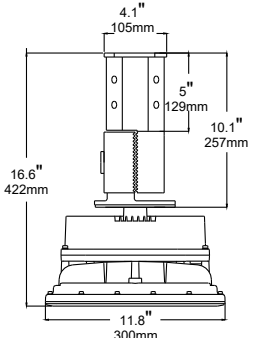
PERFORMANCE AND PACKAGING

PERFORMANCE			
Product Model	JUP-J20/J30/J40	JUP-J60/J80/J100	JUP-J120/J150/180/J200
Type	LED Explosion proof Flood Light		
Base	Top loading / WM - Wall Mount / PA - Universal Pole Mount / Ring Installation		
Power (W)	20W / 30W / 40W	60W / 80W / 100W	120W / 150W / 180W / 200W
Voltage - Frequency	100-277Vac 50-60Hz		
Color Temp	5000K (Provides 2700K to 6500K)		
CRI (Ra) (typ.)	≥70		
Luminous Flux (lm)	2400 / 3600 / 4800	7200 / 9600 / 12000	14400 / 18000 / 21600 / 24000
Bare Lamp efficacy (LPW)	120		
Beam Angle	20°, 70°, 90°, 120°		
Power Factor	>0.9		
Rated Lifetime - L70 (hrs.)	50,000		
Dia. x MOL	200×200×147mm(7.8×7.8×5.7)"	300×300×165mm(11.8×11.8×6.4)"	400×400×169mm(15.7×15.7×6.6)"
Housing	ADC12 Aluminum+Explosion-proof glass		

ORDERING INFORMATION

Product Series	Wattage	Optic	CCT	Finish	Mounting / Options
JUP DIMMING (std)	2 20W	120 (Blank)	3K 3000K	G Gray	UB U-Bracket
JUP-ND NON DIMMING	3 30W	8 = 8 degree	4K 4000K	Y Yellow	SF Slipfitter
	4 40W	15 = 15 degree	5K 5000K		W4 Wall Mount 45°
	6 60W	35 = 35 degree	6K 6500K		W9 Wall Mount 90°
	8 80W	60 = 60 degree			LW Long Arm Wall Mount 90°
	10 100W	90 = 90 degree			WG Steel Wire Guard
	12 120W	II = type 2			WGS Stainless Steel Wire Guard
	15 150W	III = type 3			C Ceiling
	18 180W	IV = type 4			LC-(?) Longer Cord (Length?)
	20 200W	V = type 5			

MOUNTINGS, DIMENSIONS & WEIGHTS

<p>Wire color</p>	<p>UL:</p>  <p>L: white G: green N: black</p>	<p>ATEX: IECEX:</p>  <p>L: brown G: Yellow-green N: blue</p>
<p>Ceiling mount</p>		
<p>WM - Wall Mount</p>		
<p>PA - Stanchion mount</p>		
<p>Ring Installation</p>	