

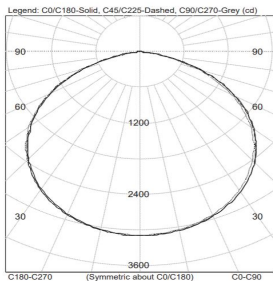
Project:	
Type:	
Catalog #:	



Product Description

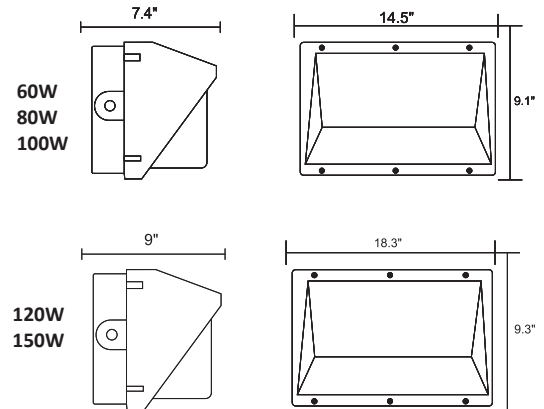
The FME BWP half cutoff is designed to replace traditional MH/HPS wall packs. The BWP is available in wattages ranging from 40W-150W. The housing is made from die-cast aluminum and offers an optional glass or polycarbonate lens. The BWP is standard with 0-10v dimming and threaded knock outs on the side for photocell installation.

Photometric Data



Gamma	C-Plane					Flux (lm)
	C0	C22.5	C45	C67.5	C90	
0.0	3095	3095	3095	3095	3095	293
5.0	3084	3103	3089	3081	3074	293
10.0	3055	3075	3059	3047	3041	293
15.0	3005	3025	3009	2996	2986	846
20.0	2934	2954	2934	2923	2909	846
25.0	2839	2860	2838	2827	2808	1301
30.0	2723	2741	2721	2710	2687	1301
35.0	2582	2598	2577	2567	2543	1598
40.0	2417	2432	2410	2399	2372	1598
45.0	2228	2240	2218	2202	2176	1685
50.0	2012	2020	1997	1977	1952	1526
55.0	1767	1771	1748	1726	1700	1526
60.0	1482	1493	1469	1447	1419	1109
65.0	1189	1185	1159	1141	1119	1109
70.0	864	847	830	821	795	500
75.0	514	512	507	497	473	473
80.0	227	123	208	215	202	45
85.0	6	4	20	22	22	45
90.0	0	0	0	0	0	0

ZONAL FLUX AND PERCENTAGES



Electrical Data

Specification/Model	BWP41	BWP60	BWP80	BWP10	BWP12	BWP15
LED Chips	Philipp3030					
Input power	41W	60W	80W	100W	120W	150W
Lumens output	4800-5200LM	7700-7800LM	9600-10400 lm	12000-13000lm	15000-16000 lm	18000-19500LM
Efficiency	120-130M/W	120-130LM/W	120-130lm/w	120-130 lm/W	120-130LM/W	120-130LM/W
CRI	71Ra					
Color Temperature	3000/4000K/5000K					
Input voltage	100-277V UL Driver					
Light distribution type	120D					
Power Factor	0.9					
Total Harmonic Distortion	13.4%					
Efficiency	90%					
Certificate	ETL,CETL,DLC					
	100-150W MH/HPS	150-200W MH/HPS	250-300W MH/HPS	300-350W MH/HPS	350-450W MH/HPS	450-600W MH/HPS

Ordering Information

USA STOCK ITEMS

Model	Luminaire Watts	Voltage	Color Temperature	Lens	Photocell	
BWP	4 = 40W 6 = 60W 8 = 80W 10 = 100W 12 = 120W 15 = 150W	LV = 120-277V	C = 3000k S = 4000k I = 5000k	P = Plastic G = Glass	PC = Yes (Blank) = No	BWP-4-LV-I-P BWP-6-LV-I-P BWP-6-LV-I-G BWP-8-LV-I-P BWP-8-LV-I-G BWP-10-LV-I-P BWP-10-LV-I-G BWP-12-LV-I-P BWP-15-LV-I-P