

|            |  |
|------------|--|
| Project:   |  |
| Type:      |  |
| Catalog #: |  |

### STANDARD



### FEATURES

- Available in 3500k (warm/neutral white), 4000k (neutral white) & 5000k (cool white) color temperatures.\*
- Long-life LEDs provide at least 144,000 hours of operation with at least 70% of initial lumen output (L<sub>70</sub>).\*\*
- Provides 5,274 to 7,442 luminaire lumens, and 131 to 135 lumens per watt.\*
- Uniform illumination with no visible LED pixilation.
- Universal 120-277 AC voltage (50-60Hz) is standard.
- 0-10vdc dimming capability is standard.
- Power factor > 90.
- Total harmonic distortion < 20%.
- Color rendering index > 80.
- Aluminum frame and steel housing backplate.
- PMMA (polymethyl methacrylate) LED lenses for optimal light distribution, efficiency and longevity.
- Easy installation in new construction or retrofit.
- Standard earthquake clips provide secure installation in grid ceilings.
- Standard mounting options include recessed mounting in grid ceilings, or suspended mounting using attached hanging brackets. For mounting in plaster or other hard ceiling, see Mounting Kits.

\* Contact factory for other color temperatures and lumen packages.

\*\* L<sub>70</sub> hours are IES TM-21-11 calculated hours.



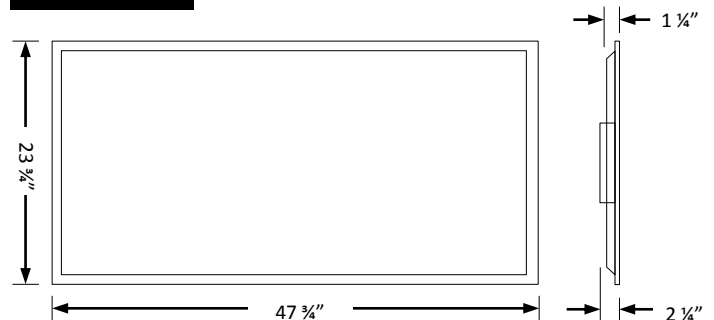
### WARRANTY & LISTINGS

- cULus for damp locations and insulated ceilings (Type IC-rated). Suitable for ambient temperatures from -20°C to 40°C (-4°F to 104°F).
- DLC premium approved.
- Flicker-free per IEEE1789-2015 (no observable adverse effects of flicker at 100% light output level).
- Complies with RoHS (Restriction on Hazardous Substances) requirements.
- Complies with FCC Part 15, class B.
- Complies with EN61000-4-5, surge immunity protection (1kV).
- 5-year warranty of all electronics and housing.

### MOUNTING KITS

- Optional Surface Mount Kits (LEDSMKT-24) and Flange Mounting Kits (FLANGEKIT24-ET) provide for installation on plaster or other hard ceilings.
- Optional Cable Mounting Kits (LEDPNL-CMK) provide additional security, as well as suspended mounting.

### DIMENSIONS



**Weight: 9 lbs.**

### ORDERING INFORMATION

| Series | Nominal Lumens |          | Color Temperature |       | DLC |         | Options (Order Separately) |  |
|--------|----------------|----------|-------------------|-------|-----|---------|----------------------------|--|
|        | 5L             | 5,000 lm | 35K               | 3500K | P   | PREMIUM | LEDSMKT-24                 | Surface Mounting Kit (2x4), Back-Lit Panels  |
| BLP24  | 7L             | 7,000 lm | 4K                | 4000k |     |         | FLANGEKIT24-ET             | Flange Mounting Kit (2x4)  |
|        |                |          | 5K                | 5000k |     |         | LEDPNL-CMK                 | Cable Mounting Kit, Quantity 6, 1 meter long, 1/16" diameter, with spring clips & adjustable, locking ceiling attachment |

## ELECTRICAL DATA

| Model          | Color Temperature | CRI <sup>1</sup> | Luminaire Lumens | Luminaire Watts | Lumens Per Watt | Input Voltage <sup>2</sup> | Input Current (A) |      |      | Power Factor | THD <sup>3</sup> | L <sub>70</sub> Hours <sup>4</sup> |
|----------------|-------------------|------------------|------------------|-----------------|-----------------|----------------------------|-------------------|------|------|--------------|------------------|------------------------------------|
|                |                   |                  |                  |                 |                 |                            | 120V              | 240V | 277V |              |                  |                                    |
| BLP24-5L-35K-P | 3500K             | > 80             | 5,274            | 40              | 131             | 120-277                    | 0.33              | 0.17 | 0.14 | > 90%        | < 20%            | 144,000                            |
| BLP24-5L-4K-P  | 4000K             | > 80             | 5,330            | 40              | 132             | 120-277                    | 0.33              | 0.17 | 0.14 | > 90%        | < 20%            | 144,000                            |
| BLP24-5L-5K-P  | 5000K             | > 80             | 5,385            | 40              | 134             | 120-277                    | 0.33              | 0.17 | 0.14 | > 90%        | < 20%            | 144,000                            |
| BLP24-7L-35K-P | 3500K             | > 80             | 7,217            | 55              | 131             | 120-277                    | 0.46              | 0.23 | 0.20 | > 90%        | < 20%            | 144,000                            |
| BLP24-7L-4K-P  | 4000K             | > 80             | 7,330            | 55              | 133             | 120-277                    | 0.46              | 0.23 | 0.20 | > 90%        | < 20%            | 144,000                            |
| BLP24-7L-5K-P  | 5000K             | > 80             | 7,442            | 55              | 135             | 120-277                    | 0.46              | 0.23 | 0.20 | > 90%        | < 20%            | 144,000                            |

<sup>1</sup> Color rendering index.

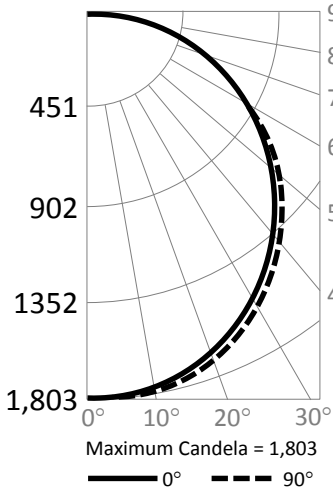
<sup>2</sup> All 50-60Hz.

<sup>3</sup> Total harmonic distortion.

<sup>4</sup> L<sub>70</sub> refers to the number of hours at which lumen output declines to 70% of the initial level. L<sub>70</sub> hours are IES TM-21-11 calculated hours.

## PHOTOMETRIC DATA

### BLP24-5L-5K-P (5,385 Lumens)



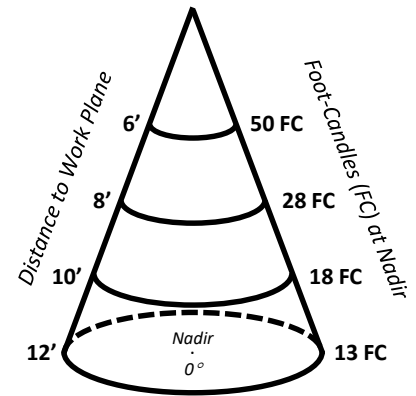
#### Candlepower Summary

|     | 0°    | 90°   |
|-----|-------|-------|
| 0°  | 1,803 | 1,803 |
| 10° | 1,777 | 1,777 |
| 20° | 1,693 | 1,702 |
| 30° | 1,551 | 1,572 |
| 40° | 1,354 | 1,380 |
| 50° | 1,108 | 1,133 |
| 60° | 825   | 846   |
| 70° | 523   | 528   |
| 80° | 233   | 234   |
| 90° | 5     | 1     |

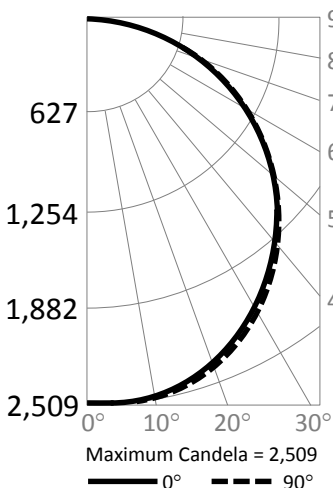
#### Zonal Lumen Summary

| Zone       | Lumens | % Fixture |
|------------|--------|-----------|
| 0° – 10°   | 171    | 3.2%      |
| 0° – 20°   | 663    | 12.3%     |
| 0° – 30°   | 1,417  | 26.3%     |
| 0° – 40°   | 2,336  | 43.4%     |
| 0° – 50°   | 3,298  | 61.2%     |
| 0° – 60°   | 4,176  | 77.6%     |
| 0° – 70°   | 4,852  | 90.1%     |
| 0° – 80°   | 5,254  | 97.6%     |
| 0° – 90°   | 5,379  | 99.9%     |
| 90° – 180° | 6      | 0.1%      |
| 0° – 180°  | 5,385  | 100.0%    |

#### Cone of Light



### BLP24-7L-5K-P (7,442 Lumens)



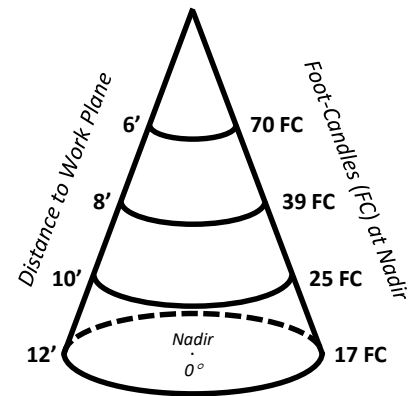
#### Candlepower Summary

|     | 0°    | 90°   |
|-----|-------|-------|
| 0°  | 2,509 | 2,509 |
| 10° | 2,474 | 2,470 |
| 20° | 2,356 | 2,364 |
| 30° | 2,157 | 2,181 |
| 40° | 1,884 | 1,913 |
| 50° | 1,542 | 1,571 |
| 60° | 1,148 | 1,169 |
| 70° | 719   | 726   |
| 80° | 311   | 316   |
| 90° | 6     | 1     |

#### Zonal Lumen Summary

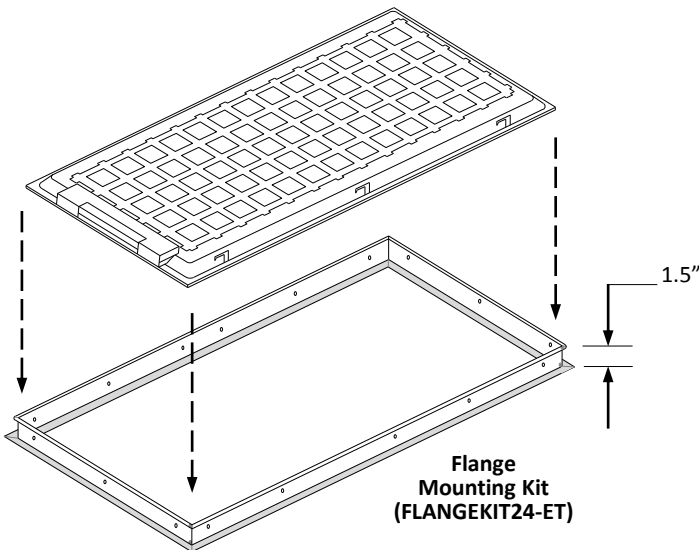
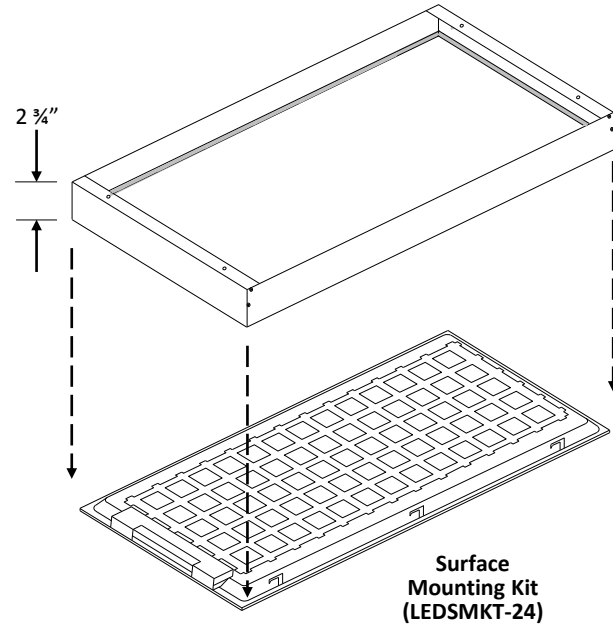
| Zone       | Lumens | % Fixture |
|------------|--------|-----------|
| 0° – 10°   | 237    | 3.2%      |
| 0° – 20°   | 922    | 12.4%     |
| 0° – 30°   | 1,968  | 26.4%     |
| 0° – 40°   | 3,244  | 43.6%     |
| 0° – 50°   | 4,578  | 61.5%     |
| 0° – 60°   | 5,793  | 77.8%     |
| 0° – 70°   | 6,725  | 90.4%     |
| 0° – 80°   | 7,270  | 97.7%     |
| 0° – 90°   | 7,433  | 99.9%     |
| 90° – 180° | 9      | 0.1%      |
| 0° – 180°  | 7,442  | 100.0%    |

#### Cone of Light

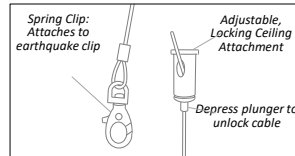


## OPTIONS

- Optional surface mounting kits (LEDSMKT-24) mounts below the ceiling.
- Optional flange mounting kits provide for recessed installation on plaster or other hard ceilings. Attach Flange Mount Kit (FLANGEKIT24-ET) to ceiling joists or other stationary structures, and the panel is mounted flush to the ceiling.
- Optional cable mounting kits provide additional security, as well as suspended mounting. Attach one end of the Cable Mount Kit (LEDPNL-CMK) to luminaire earthquake clips using spring clips, and attach the other end to stationary structures using the adjustable, locking ceiling attachment (see picture below right).



### Cable Mounting Kit (LEDPNL-CMK)



### Cable Mount Kit:

- Spring Clip
- Adjustable, locking ceiling attachment