

Project:	
Type:	
Catalog #:	

STANDARD



FEATURES

- Available in 3500k (warm/neutral white), 4000k (neutral white) & 5000k (cool white) color temperatures.*
- Long-life LEDs provide 144,000 hours of operation with at least 70% of initial lumen output (L₇₀).**
- Provides 4,259 to 4,449 luminaire lumens, and 118 to 123 lumens per watt.*
- Uniform illumination with no visible LED pixilation.
- Universal 120-277 AC voltage (50-60Hz) is standard.
- 0-10vdc dimming capability is standard.
- Power factor > 90.
- Total harmonic distortion < 20%.
- Color rendering index > 80.
- Aluminum frame and steel housing backplate.
- PMMA (polymethyl methacrylate) LED lenses for optimal light distribution, efficiency and longevity.
- Easy installation in new construction or retrofit.
- Standard earthquake clips provide secure installation in grid ceilings.
- Standard mounting options include recessed mounting in grid ceilings, or suspended mounting using attached hanging brackets. For mounting in plaster or other hard ceiling, see Mounting Kits.

* Contact factory for other color temperatures and lumen packages.

** L₇₀ hours are IES TM-21-11 calculated hours.



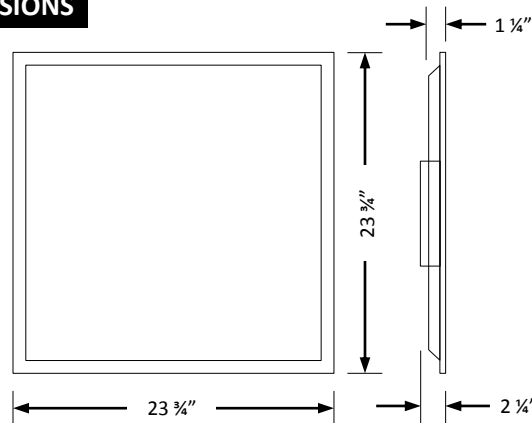
WARRANTY & LISTINGS

- cULus for damp locations and insulated ceilings (Type IC-rated). Suitable for ambient temperatures from -20°C to 40°C (-4°F to 104°F).
- DLC approved.
- Flicker-free per IEEE1789-2015 (no observable adverse effects of flicker at 100% light output level).
- Complies with RoHS (Restriction on Hazardous Substances) requirements.
- Complies with FCC Part 15, class B.
- Complies with EN61000-4-5, surge immunity protection (1kV).
- 5-year warranty of all electronics and housing.

MOUNTING KITS

- Optional Surface Mount Kits (LEDSMKT-22) and Flange Mounting Kits (FLANGEKIT22-ET) provide for installation on plaster or other hard ceilings.
- Optional Cable Mounting Kits (LEDPNL-CMK) provide additional security, as well as suspended mounting.

DIMENSIONS



Weight: 5 lbs.

ORDERING INFORMATION

Series	Nominal Lumens	Color Temperature	Options (Order Separately)
BLP22	4L 4,000 lm	35K 3500K	LEDSMKT-22 Surface Mounting Kit (2x2), Back-Lit Panels FLANGEKIT22-ET Flange Mounting Kit (2x2) LEDPNL-CMK Cable Mounting Kit, Quantity 6, 1 meter long, 1/16" diameter, with spring clips & adjustable, locking ceiling attachment
		4K 4000k	
		5K 5000k	

ELECTRICAL DATA

Model	Color Temperature	CRI ¹	Luminaire Lumens	Luminaire Watts	Lumens Per Watt	Input Voltage ²	Input Current (A)			Power Factor	THD ³	L ₇₀ Hours ⁴
							120V	240V	277V			
BLP22-4L-35K	3500K	> 80	4,259	36	118	120-277	0.30	0.15	0.13	> 90%	< 20%	144,000
BLP22-4L-4K	4000K	> 80	4,354	36	121	120-277	0.30	0.15	0.13	> 90%	< 20%	144,000
BLP22-4L-5K	5000K	> 80	4,449	36	123	120-277	0.30	0.15	0.13	> 90%	< 20%	144,000

¹ Color rendering index.

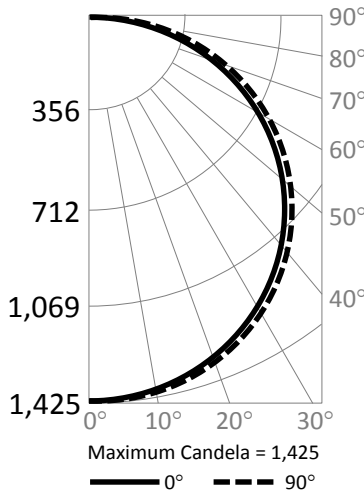
² All 50-60Hz.

³ Total harmonic distortion.

⁴ L₇₀ refers to the number of hours at which lumen output declines to 70% of the initial level. L₇₀ hours are IES TM-21-11 calculated hours.

PHOTOMETRIC DATA

BLP22-4L-5K (4,449 Lumens)



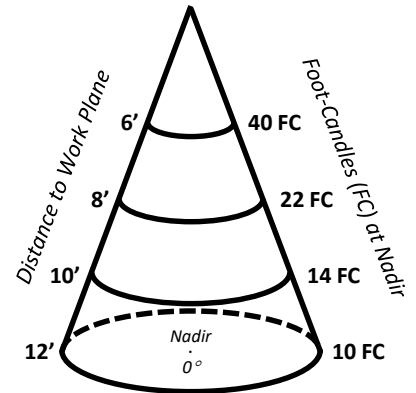
Candlepower Summary

	0°	90°
0°	1,425	1,425
10°	1,397	1,400
20°	1,332	1,337
30°	1,229	1,237
40°	1,087	1,096
50°	904	913
60°	682	688
70°	433	431
80°	185	178
90°	9	0

Zonal Lumen Summary

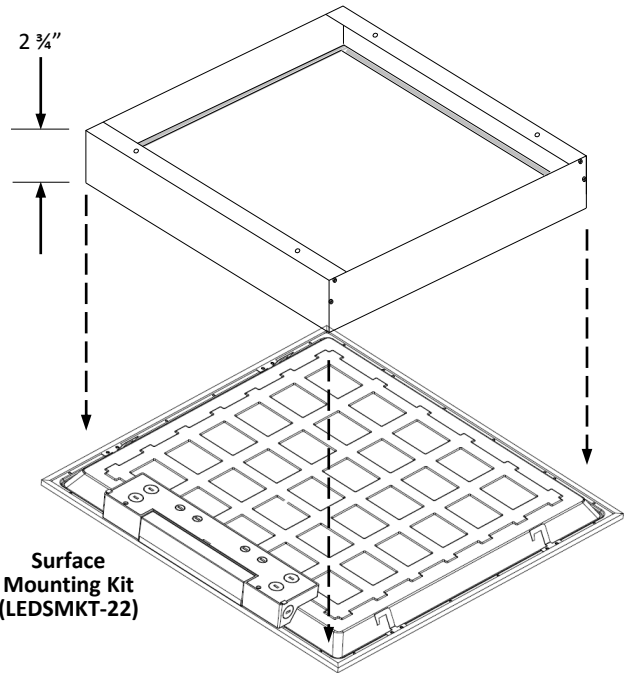
Zone	Lumens	% Fixture
0° – 10°	135	3.0%
0° – 20°	525	11.8%
0° – 30°	1,127	25.3%
0° – 40°	1,870	42.0%
0° – 50°	2,666	59.9%
0° – 60°	3,409	76.6%
0° – 70°	3,993	89.7%
0° – 80°	4,341	97.6%
0° – 90°	4,445	99.9%
90° – 180°	4	0.1%
0° – 180°	4,449	100.0%

Cone of Light

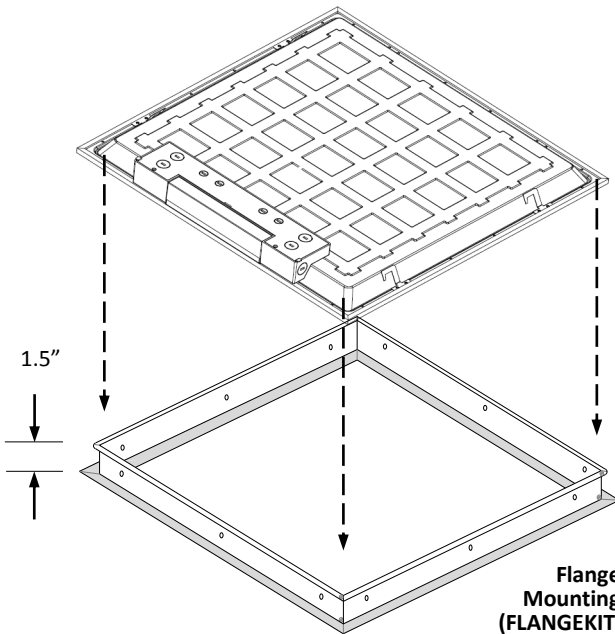


OPTIONS

- Optional surface mounting kits (LEDSMKT-22) mounts below the ceiling.
- Optional flange mounting kits provide for recessed installation on plaster or other hard ceilings. Attach Flange Mount Kit (FLANGEKIT22-ET) to ceiling joists or other stationary structures, and the panel is mounted flush to the ceiling.
- Optional cable mounting kits provide additional security, as well as suspended mounting. Attach one end of the Cable Mount Kit (LEDPNL-CMK) to luminaire earthquake clips using spring clips, and attach the other end to stationary structures using the adjustable, locking ceiling attachment (see picture below right).

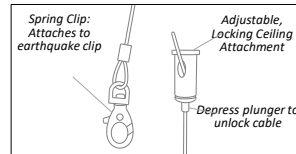


Surface Mounting Kit (LEDSMKT-22)



Flange Mounting Kit (FLANGEKIT22-ET)

Cable Mounting Kit (LEDPNL-CMK)



Cable Mount Kit:

- Spring Clip
- Adjustable, locking ceiling attachment