

Project:	
Type:	
Catalog #:	

## STANDARD



## FEATURES

- Available in 3500k (warm/neutral white), 4000k (neutral white) & 5000k (cool white) color temperatures.\*
- Long-life LEDs provide at least 144,000 hours of operation with at least 70% of initial lumen output (L<sub>70</sub>).\*\*
- Provides 4,174 to 4,293 luminaire lumens, and 129 to 134 lumens per watt.\*
- Uniform illumination with no visible LED pixilation.
- Universal 120-277 AC voltage (50-60Hz) is standard.
- 0-10vdc dimming capability is standard.
- Power factor > 90.
- Total harmonic distortion < 20%.
- Color rendering index > 80.
- Aluminum frame and steel housing backplate.
- PMMA (polymethyl methacrylate) LED lenses for optimal light distribution, efficiency and longevity.
- Easy installation in new construction or retrofit.
- Standard earthquake clips provide secure installation in grid ceilings.
- Standard mounting options include recessed mounting in grid ceilings, or suspended mounting using attached hanging brackets. For mounting in plaster or other hard ceiling, see Mounting Kits.

\* Contact factory for other color temperatures and lumen packages.

\*\* L<sub>70</sub> hours are IES TM-21-11 calculated hours.



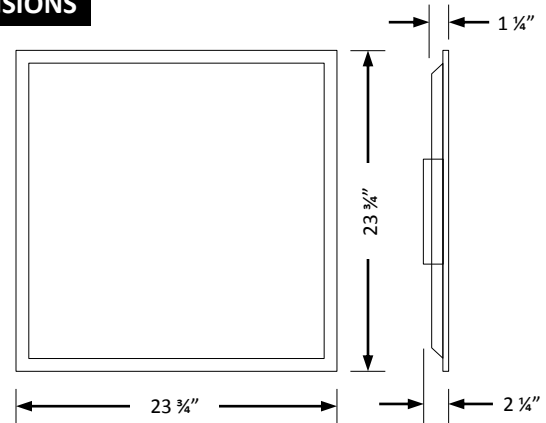
## WARRANTY & LISTINGS

- cULus for damp locations and insulated ceilings (Type IC-rated). Suitable for ambient temperatures from -20°C to 40°C (-4°F to 104°F).
- DLC premium approved.
- Flicker-free per IEEE1789-2015 (no observable adverse effects of flicker at 100% light output level).
- Complies with RoHS (Restriction on Hazardous Substances) requirements.
- Complies with FCC Part 15, class B.
- Complies with EN61000-4-5, surge immunity protection (1kV).
- 5-year warranty of all electronics and housing.

## MOUNTING KITS

- Optional Surface Mount Kits (LEDSMKT-22) and Flange Mounting Kits (FLANGEKIT22-ET) provide for installation on plaster or other hard ceilings.
- Optional Cable Mounting Kits (LEDPNL-CMK) provide additional security, as well as suspended mounting.

## DIMENSIONS



**Weight: 5 lbs.**

## ORDERING INFORMATION

Series	Nominal Lumens		Color Temperature		DLC		Options (Order Separately)	
BLP22	4L	4,000 lm	35K	3500K	P	PREMIUM	LEDSMKT-22	Surface Mounting Kit (2x2), Back-Lit Panels
			4K	4000k			FLANGEKIT22-ET	Flange Mounting Kit (2x2)
			5K	5000k			LEDPNL-CMK	Cable Mounting Kit, Quantity 6, 1 meter long, 1/16" diameter, with spring clips & adjustable, locking ceiling attachment

## ELECTRICAL DATA

Model	Color Temperature	CRI <sup>1</sup>	Luminaire Lumens	Luminaire Watts	Lumens Per Watt	Input Voltage <sup>2</sup>	Input Current (A)			Power Factor	THD <sup>3</sup>	L <sub>70</sub> Hours <sup>4</sup>
							120V	240V	277V			
BLP22-4L-35K-P	3500K	> 80	4,174	32	129	120-277	0.27	0.13	0.12	> 90%	< 20%	144,000
BLP22-4L-4K-P	4000K	> 80	4,234	32	131	120-277	0.27	0.13	0.12	> 90%	< 20%	144,000
BLP22-4L-5K-P	5000K	> 80	4,293	32	134	120-277	0.27	0.13	0.12	> 90%	< 20%	144,000

<sup>1</sup> Color rendering index.

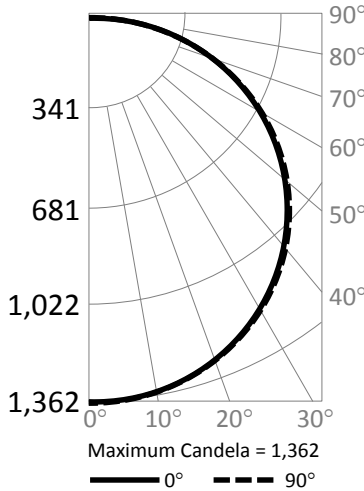
<sup>2</sup> All 50-60Hz.

<sup>3</sup> Total harmonic distortion.

<sup>4</sup> L<sub>70</sub> refers to the number of hours at which lumen output declines to 70% of the initial level. L<sub>70</sub> hours are IES TM-21-11 calculated hours.

## PHOTOMETRIC DATA

### BLP22-4L-5K-P (4,293 Lumens)



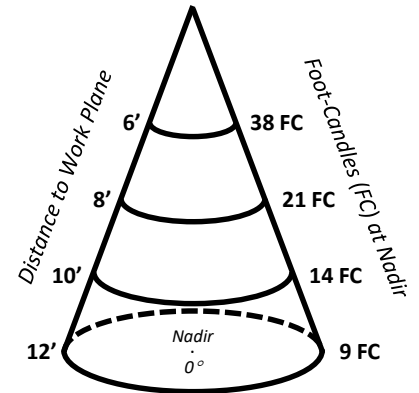
#### Candlepower Summary

	0°	90°
0°	1,362	1,362
10°	1,340	1,341
20°	1,282	1,284
30°	1,188	1,192
40°	1,056	1,062
50°	886	891
60°	675	682
70°	436	442
80°	193	200
90°	1	14

#### Zonal Lumen Summary

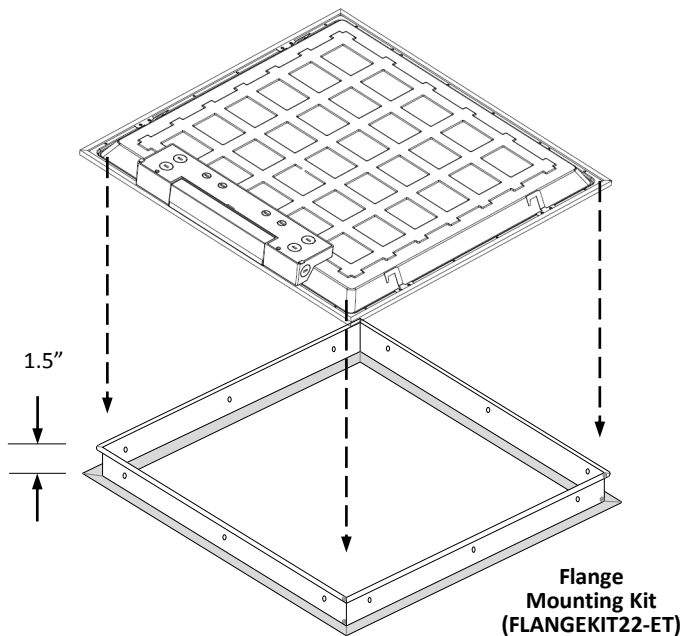
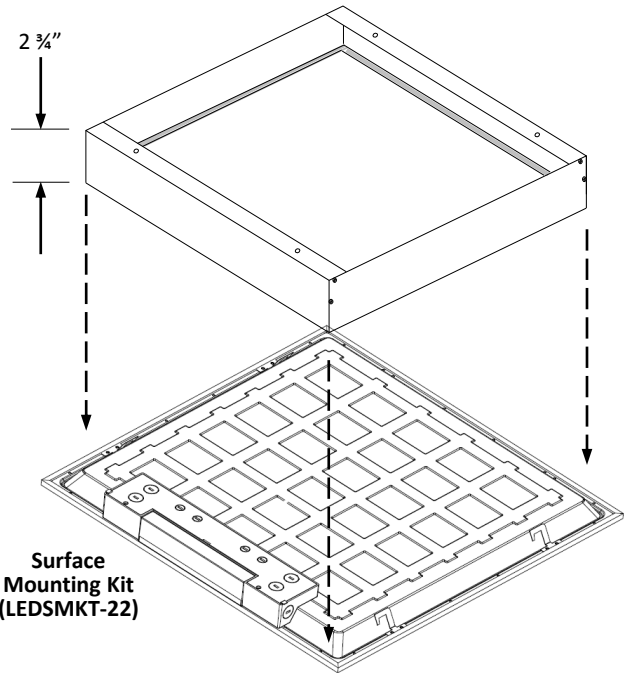
Zone	Lumens	% Fixture
0° – 10°	129	3.0%
0° – 20°	502	11.7%
0° – 30°	1,078	25.1%
0° – 40°	1,791	41.7%
0° – 50°	2,556	59.5%
0° – 60°	3,272	76.2%
0° – 70°	3,839	89.4%
0° – 80°	4,182	97.4%
0° – 90°	4,289	99.9%
90° – 180°	4	0.1%
0° – 180°	4,293	100.0%

#### Cone of Light

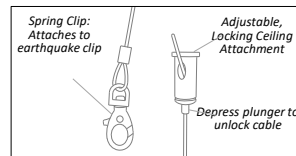


## OPTIONS

- Optional surface mounting kits (LEDSMKT-22) mounts below the ceiling.
- Optional flange mounting kits provide for recessed installation on plaster or other hard ceilings. Attach Flange Mount Kit (FLANGEKIT22-ET) to ceiling joists or other stationary structures, and the panel is mounted flush to the ceiling.
- Optional cable mounting kits provide additional security, as well as suspended mounting. Attach one end of the Cable Mount Kit (LEDPNL-CMK) to luminaire earthquake clips using spring clips, and attach the other end to stationary structures using the adjustable, locking ceiling attachment (see picture below right).



## Cable Mounting Kit (LEDPNL-CMK)



## Cable Mount Kit:

- Spring Clip
- Adjustable, locking ceiling attachment