

Project:	
Type:	
Catalog #:	

The AOS Decorative Round Aluminum poles are built from extruded fluted 11 Gauge aluminum tubing and are offered as direct burial or with a high-strength die cast aluminum base. A pole top plate with a 3" vertical tenon is provided. Typical area lighting applications include retail centers, industrial parks, schools and universities, parks and pedestrian pathways and gathering spaces. Mounting heights to 16 feet can be used based on selected luminaire application.

Specifications and Features:

Pole Specifications:

The Pole Shaft is One-Piece Extruded Fluted .120 (11 Gauge) Aluminum with a 4" O.D. in Direct Burial and Anchor Base Styles. The Anchor Base is Die Cast Aluminum Welded to the Shaft.

Finish:

Textured Architectural Black Powdercoat Finish, Baked to Ensure Maximum Paint Adhesion, Hardness and Durability.

Anchor Bolts:

Set of Four 5/8" x 18" Anchor Bolts are Included.

Hand Hole:

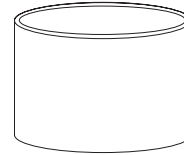
2 1/4" Diameter Hand Hole with Gasketed Cover with Stainless Steel Bolt.

Base Cover

Optional Square Formed and Riveted Aluminum Cover or Decorative Two-Piece Wrap-Around Cast Aluminum Base Available (Sold Separately)

Mounting:

Includes Removable 3" Aluminum Reducing Tenon with Black Powdercoat Finish and Stainless Steel Hardware.



4" Round



3" Tenon



AOS416AB: 16 Feet
AOS422DB: 22 Feet

Order Information Example:

Model	Shaft/Height/Style	Color	Options
AOS = Fluted Aluminum Extruded Pole	416AB=16' Anchor Base Pole 422DB=22' Direct Burial Pole	B=Black	(Leave Blank)=No Options LAB=Less Anchor Bolts (2)

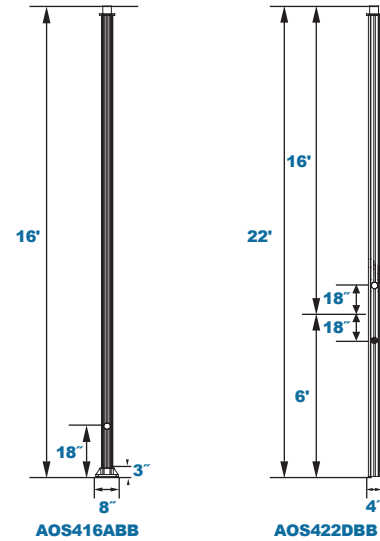
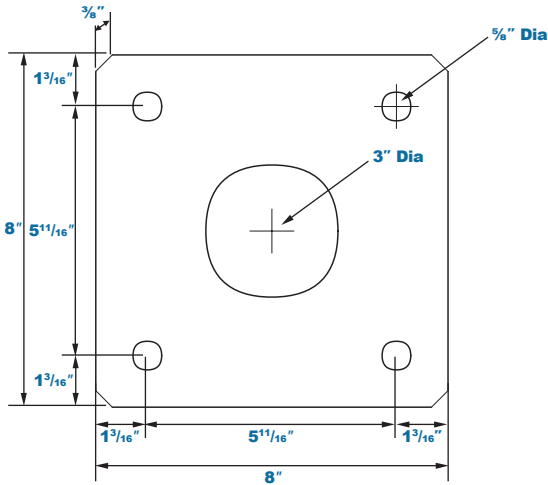
Wind Loading and Dimensional Data:

Pole Description		80 MPH	90 MPH	100 MPH	110 MPH	120 MPH	130 MPH	140 MPH	150 MPH	160 MPH	170 MPH	180 MPH	200 MPH
Shaft Size & Wall Thickness	Mounting Height	Max EPA (SQ FT)	Max EPA (SQ FT)	Max EPA (SQ FT)	Max EPA (SQ FT)	Max EPA (SQ FT)	Max EPA (SQ FT)	Max EPA (SQ FT)	Max EPA (SQ FT)	Max EPA (SQ FT)	Max EPA (SQ FT)	Max EPA (SQ FT)	Max EPA (SQ FT)
AOS	12'	24.20	19.20	14.80	11.80	10.95	9.06	7.58	6.37	5.38	4.57	3.88	0.65
	14'	19.40	15.40	11.60	9.20	8.61	7.02	5.78	4.76	3.93	3.25	2.67	-
	16'	15.00	12.00	8.90	6.93	6.64	5.31	4.27	3.41	2.70	2.14	1.64	-

NOTES:

- Maximum EPA (Effective Projected Area) based on "C" Exposure.
- EPAs are approximate, specific to location and local codes. Consult engineer for specific application.
- Allowable EPA Weight Load (LBS): To determine maximum pole loading weight, multiply allowable EPA by 30 LBS.
Example: PARF 16' pole in 120 mph zone = 199.2 LBS (6.64 x 30)
- Variations from sizes above are available upon inquiry at the factory.
- Satisfactory performance of poles is dependent upon the pole being properly attached to a supporting foundation of adequate design.

Pole Data:



Shaft Base Size	Bolt Circle A	Base Size B	Base Thickness C	Anchor Bolt Size
AOS4	8" (203mm)	8" (203mm)	3/4" (19mm)	5/8" x 18"

4" Decorative Aluminum Pole Mounting Options (Order separately, field installed.)

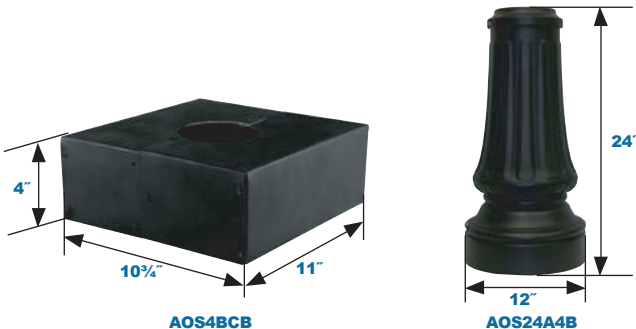
Dual Mounting Arm: Black Finish, Accepts 3" Diameter Fitters, Fits 3" Tenon



Wall Mounting Bracket: Black Finish, Accepts 3" Diameter Fitters



Bases:



Replacement Parts (Order Separately, Field Installed)

- AOS4BCB Square Cover for 4" Pole, Black Finish
- AOS24A4B Two-Piece Base for 4" Pole, Black Finish