

# RINCON XP REMOTE



<b>Project:</b>	
<b>Type:</b>	
<b>Catalog #:</b>	



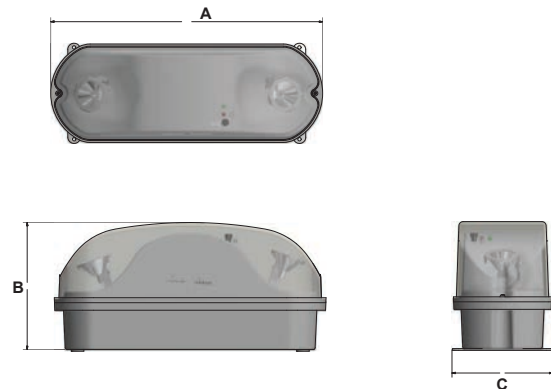
## SPECIFICATIONS: OVERVIEW

The RINCON XP REMOTE is vandal resistant, durable and can be depended on in the event of an emergency. The gasketed die-cast aluminum housing and clear polycarbonate lens is suitable for areas that are wet, cold or that generate dust. Tamper resistant screws are standard and ensure the integrity of the remote. Performance optics allows up to 70 foot spacing on center. The RINCON series is approved for use in Class I Division 2, Groups A-D, Class II Divisions 1& 2, Groups E-G: T coded T4A, T3B, T3A, T2D, T2A, or T1. The operating temperature is from -22°F up to 104°F (-30°C to 40°C).

## SPECIFICATIONS: MECHANICAL

The RINCON XP REMOTE is constructed from a durable, fully gasketed NEMA 4X and IP66 rated die-cast aluminum housing. Stainless steel mounting straps are supplied for surface mounting. The RINCON XP REMOTE is supplied standard in a durable gray powder coat, baked finish. Other colors are available, including color matching, please specify. CSA 22.2 No. 141 Performance Certified.

## DIMENSIONS (in, mm.)



Series	A	B	C
RIN-XP-R	16 <sup>1/4</sup> "	7 <sup>1/2</sup> "	6"
	413mm	191mm	152mm

Series	Operation	Lamps	Options
RIN-XP-R	6 VDC	See lamp selection	CC (custom color mounting plate)
	12 VDC	on next page	WG (wireguard)
	24 VDC		

