

# LEC REMOTE THERMOPLASTIC REMOTE HEAD



Project:	
Type:	
Catalog #:	



**LEC-R1**



**LEC-R2**

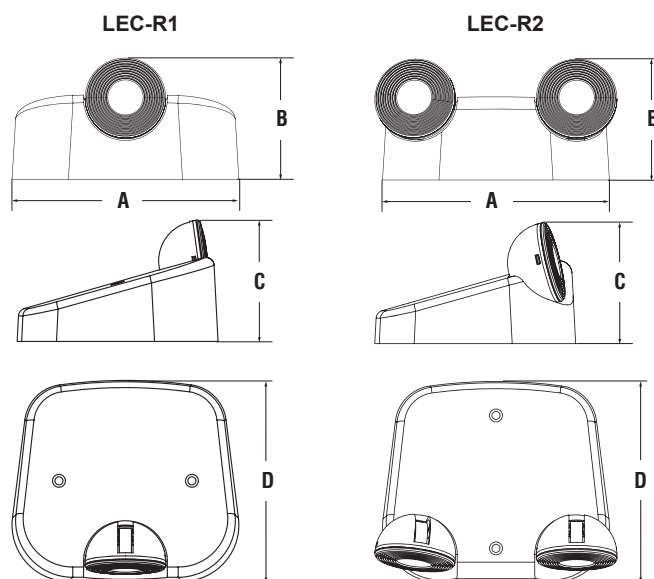
## LEC HIGH OUTPUT LED REMOTE HEADS

The LEC, fully adjustable remote heads utilizes high output LED technology. For use as part of an emergency lighting system, providing light for path of egress.

### SPECIFICATIONS: EXTERNAL

For remote single heads, maximum wattage is 1W. For remote double heads, maximum wattage per head is 0.5W. Powered from low voltage power source (3.6V batteries). Low voltage wiring not provided. The operating temperature is from 32°F up to 86°F (0°C to 30°C).

## DIMENSIONS (in,mm.)



Series	A	B	C	D
LEC-R1	5.54" 140mm	2.97" 75mm	2.03" 51mm	4.90" 124mm
LEC-R2	5.54" 140mm	2.97" 75mm	2.05" 52mm	4.90" 124mm

## ORDERING LOGIC

Series	Head #	Options
LEC-R	1 (single head)	B (black housing)
	2 (double head)	