

FLED12W 12 Watt LED Landscape Security / Flood Light



Project:	
Type:	
Catalog #:	

STANDARD



The FLED12W landscape security / flood light is an ideal solution for general site, landscape, sign and pathway lighting. With a die cast aluminum housing, a fluted reflector for even light distribution, and a tempered glass lens with seamless silicone gasket to prevent leaks, the FLED12W will stand up to many years of punishing environmental conditions. High-efficacy, long-life LEDs provide both energy and maintenance cost savings compared to traditional, incandescent landscape lights.

FEATURES

- Available in 3000k (warm white) and 5000k (cool white) color temperatures.*
- Long-life LEDs provide 102,000 hours of operation with at least 70% of initial lumen output (L₇₀).**
- Delivers 814 lumens and 74 lumens per watt.*
- Universal 100-277 AC voltage (50-60Hz) is standard.
- Power factor > 0.90.
- Total harmonic distortion < 20%.
- Color rendering index > 75.
- Die cast aluminum housing with durable, dark bronze, powder coat paint.
- Fluted reflector for even light distribution.
- Tempered glass lens with seamless silicone gasket to prevent leaks.
- Easy installation in new construction or retrofit.

* Contact factory for other color temperatures and lumen packages.

** L₇₀ hours are IES TM-21-11 calculated hours.



WARRANTY & LISTINGS

- cULus listed for wet locations (-20°C to 40°C / -4°F to 104°F).
- IP65 rated.
- DLC approved.
- 5-year warranty on all electronics and housing.

MOUNTING OPTIONS

- Threaded pipe (NPS 1/2"), which attaches to a junction box, is standard.
- Optional spike-mount (LEDSL-BS) for ground mounting.
- Optional canopy-mount (LED-CNY-KIT) for attachment to flat surfaces.

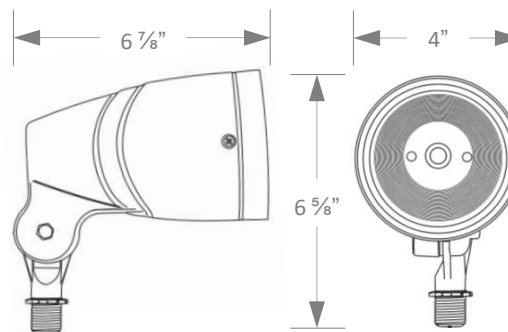


Spike-Mount
(LEDSL-BS)



Canopy-Mount
(LED-CNY-KIT)

DIMENSIONS



ORDERING INFORMATION

Model	Luminaire Watts	Luminaire Lumens	Lumens Per Watt	Color Temperature	Mounting Options (Order Separately)
FLED12W3K	11	814	74	3K = 3000k	Spike-Mount = LEDSL-BS
FLED12W5K	11	814	74	5K = 5000k	Canopy-Mount = LED-CNY-KIT

FLEDSL12W 12 Watt LED Landscape Security / Flood Light



ELECTRICAL

Model	Color Temperature	CRI ¹	Luminaire Lumens	Luminaire Watts	Lumens Per Watt	Input Voltage	Input Current (A)			Power Factor	THD ²	L ₇₀ Hours ³
							120V	240V	277V			
FLEDSL12W3K	3000k	> 75	814	11	74	120-277 (50-60Hz)	0.09	0.05	0.04	> 90%	< 20%	102,000
FLEDSL12W5K	5000k	> 75	814	11	74	120-277 (50-60Hz)	0.09	0.05	0.04	> 90%	< 20%	102,000

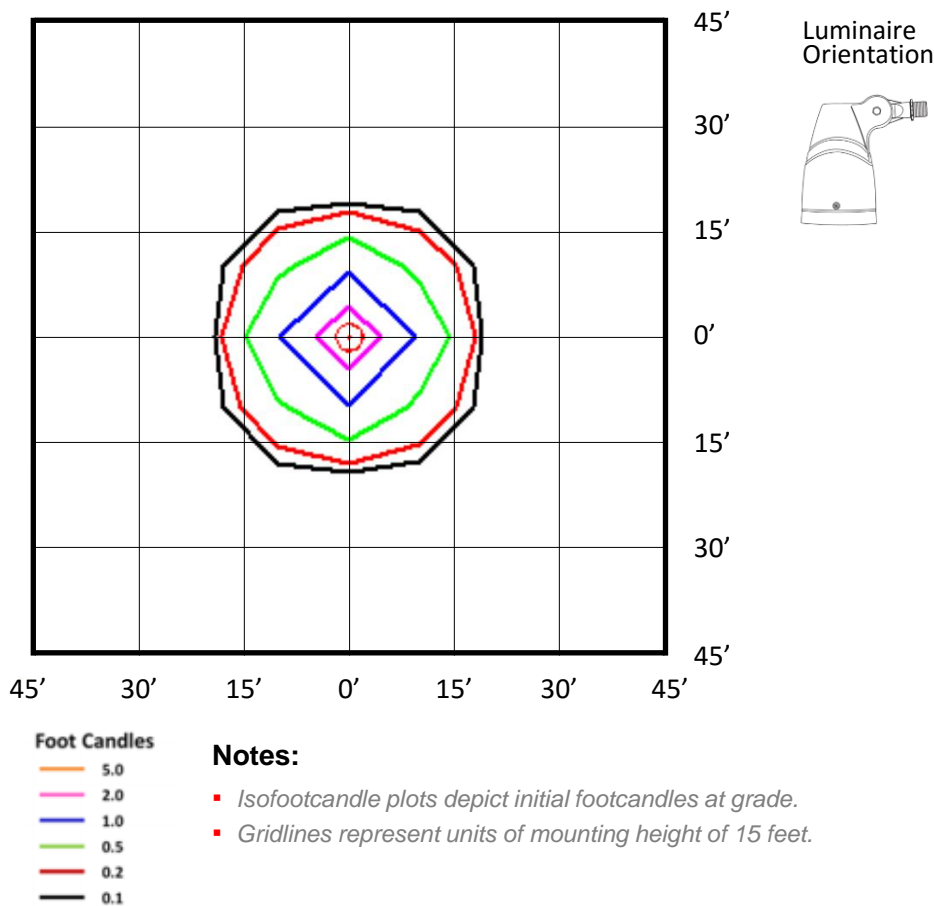
¹ Color rendering index

² Total harmonic distortion

³ L₇₀ refers to the number of hours at which lumen output declines to 70% of the initial level. L₇₀ hours are IES TM-21-11 calculated hours.

PHOTOMETRIC DATA

FLEDSL12W5K (814 Lumens)



Notes:

- Isofootcandle plots depict initial footcandles at grade.
- Gridlines represent units of mounting height of 15 feet.